

EN USER MANUAL
ES MANUAL DE INSTRUCCIONES
FR NOTICE D'UTILISATION
DE BEDIENUNGSANLEITUNG

MIMO SC SERIES

MIM088SC
MIM01212SC



Graphic Symbol Explanation



The lightning flash with arrowhead symbol, within an equilateral triangle, is intended to alert the user to the presence of uninsulated “dangerous voltage” within the product’s enclosure that may be of sufficient magnitude to constitute a risk of electric shock to persons.



The exclamation point within an equilateral triangle is intended to alert the user to the presence of important operating and maintenance (servicing) instructions in the literature accompanying the appliance.



The lightning flashes printed next to the OUTPUT terminals are intended to alert the user to the risk of hazardous energy. Output connectors that could pose a risk are marked with the lightning flash.

If this device is an amplifier:

- Do not touch output terminals while amplifier power is on.
- Make all connections with amplifier turned off.

WARNING: To prevent fire or shock hazard, do not expose this equipment to rain or moisture.

IMPORTANT SAFETY INSTRUCTIONS

1. Read these instructions.
2. Keep these instructions.
3. Heed all warnings.
4. Follow all instructions.
5. Do not use this apparatus near water.
6. Clean only with dry cloth.
7. Do not block any ventilation openings. Install in accordance with the manufacturer’s instructions.
8. Do not install near any heat sources such as radiators, heat registers, stoves, or other apparatus (including amplifiers) that produce heat.
9. Do not defeat the safety purpose of the polarized or grounding type plug. A polarized plug has two blades with one wider than the other. A grounding type plug has two blades and a third grounding prong. The wide blade or the third prong are provided for your safety. If the provided plug does not fit into your outlet, consult an electrician for replacement of the obsolete outlet.
10. Protect the power cord from being walked on or pinched particularly at the plugs, convenience receptacles, and at the point where they exit from the apparatus.
11. Only use attachments/accessories specified by the manufacturer.
12. Unplug the apparatus during lightening sorts or when unused for long periods of time.
13. Refer all servicing to qualified personnel. Servicing is required when the apparatus has been damaged in any way, such as power supply cord or plug is damaged, liquid has been spilled or objects have fallen into the apparatus, the apparatus has been exposed to rain or moisture, does not operate normally, or has been dropped.
14. Disconnecting from mains: Switching off the POWER switch all the functions and light indicators of the amplifier will be stopped, but fully disconnecting the device from mains is done unplugging the power cord from the mains input socket. For this reason, it always shall remain readily operable.

1. IMPORTANT REMARK	04
1.1. Safety Precautions	04
2. INTRODUCTION	04
3. INSTALLATION	05
3.1. Location, assembly, ventilation	05
3.2. Connection to an AC outlet and switching on	05
3.3. Signal input connections	05
3.4. Audio Output Connections	05
3.5. ETHERNET port for programming and control	06
3.6. REMOTE port for digital remote controls	06
3.7. GPI Remote Control Ports	06
3.8. Remote control RS-232 Port	07
3.9. Front panel controls and LED indicators	07
4. CLEANING	07
5. FUNCTION LIST	08
6. FUNCTION DIAGRAMS	08
7. TECHNICAL CHARACTERISTICS	33
8. BLOCK DIAGRAMS	39



All numbers subject to variation due to production tolerances. ECLER S.A. reserves the right to make changes or improvements in manufacturing or design which may affect specifications.

1. IMPORTANT REMARK

Thank you for your confidence and for choosing our MIMO SG matrix. It is VERY IMPORTANT to carefully read this manual, to fully understand its contents before any connection in order to maximize your use and get the best performance from this equipment.

In order to guarantee the optimum operation of this unit, we strongly recommend that its maintenance be carried out by our Authorized Technical Services.

All models of MIMO SG series come with a 3-year warranty.

1.1. Safety Precautions

This apparatus must be earthed through its mains cable.

Do not expose the unit to rain or water splashes, and do not place liquid containers or incandescent objects like candles on top of the unit.

Should any connection / disconnection task be done, always disconnect the unit from the mains supply.

There are no user serviceable parts inside the unit.



CAUTION: RISK OF ELECTRIC SHOCK. DO NOT OPEN.

2. INTRODUCTION

The MIMO SG is a series of fully programmable digital audio matrixes, with the following features:

- 8 (MIMO88SG) or 12 (MIMO1212SG) balanced MIC/LINE inputs (independent phantom power per input channel).
- 8 (MIMO88SG) or 12 (MIMO1212SG) balanced LINE outputs.
- 8 (MIMO88SG) or 12 (MIMO1212SG) GPI control ports (*General Purpose Input*).
- Programming and remote management via Ethernet using EclerNet Manager (or point to point, with a direct CAT5 cable, or from an Ethernet network).
- Remote control via UCP (User Control Panel) clients on Ethernet: simultaneous clients with customized control panel, such as WPmSCREEN Ecler, Android®, iOS®, Windows®, etc.
- Remote control from third party external devices. (Crestron, AMX, Vity, Medialon, etc. Registered trademarks of their manufacturers). TP-NET protocol, via Ethernet or RS-232 ports.
- Remote control bus for WPTOUCH digital panels and MPAGE16 messaging consoles (*paging*).
- Configuration memory (*presets*) management.
- Scheduled events based on calendar.
- Extensive DSP available:
 - Routing matrix/mixer, from any input to any output with adjustable level for crossover points (independent mixes of different inputs for each output).
 - Mono or stereo channel processing.
 - Level control, mute, vu-meters and phase adjustment for inputs and outputs.
 - Internal signal generator (sine wave, pink noise, white noise, polarity test).
 - Parametric EQ on inputs and outputs.
 - Delay on inputs and outputs.
 - Gate/compressor on input channels.
 - Compressor/limiter on outputs.
 - Input channel priority assignment (*ducking*).
 - Virtual and physical messaging consoles (*paging*).
 - Standard MIMO88SG / MIMO1212SG firmware version (for generic use) and alternative version, for conferencing applications (MIMO88SG / MIMO1212SG CONFERENCE version). Both firmware versions are compatible with the MIMO88SG / MIMO1212SG hardware which can be freely updated with anyone of them.

The MIMO SG programming is done with EclerNet Manager*. Please refer to the EclerNet Manager Software manual for more information.

* EclerNet Manager software is available on www.ecler.com.

3. INSTALLATION

3.1. Location, assembly, ventilation

MIMO SG series has been especially designed to be installed in a standard 19" rack, taking up 1U.

It is very important not to enclose the MIMO SG or expose it to extreme temperatures as it generates heat. It's also necessary to promote the passage of fresh air through the ventilation holes of the chassis, leaving at least one rack unit off between each device and installed above and below it in the rack frame.

If the setup has several amplifiers in the same rack or in a closed cabinet with doors, it is highly recommended to supply them forced ventilation, installing fans at the upper and lower ends. This upward air flow will help to dissipate the heat generated inside.

3.2. Connection to an AC outlet and switching on

All models in the MIMO SG series operate under voltages between 90 and 264 V at 47 to 63 Hz. This device features an over dimensioned power supply that adapts to the mains voltage in any country of the world with no need to make any adjustments.

On the rear panel, there is a power switch for the unit next to the IEC power connector. On the front panel, a LED lights up when the unit is switched on.

The mains cables must not be near the shielded cables carrying the audio signal, as this could cause humming.

3.3. Signal input connections

The rear panel of a MIMO SG unit offers 8 (MIMO88SG) or 12 (MIMO1212SG) balanced analogue signal inputs, "IN", accepting both line and microphone level signals. Input signal type selection and management are carried out from EclerNet Manager application. Please refer to the EclerNet Manager software manual for more information.

Signal input connectors are 3 position screw terminal block. The wiring is:

- Hot or direct signal > Terminal +
- Cold or inverted signal > Terminal -
- Ground > Terminal ⊥

For unbalanced connection short-circuit pin ⊥ to pin -.

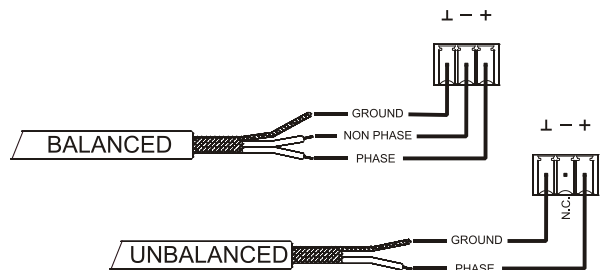
3.4. Audio Output Connections

The rear panel of a MIMO SG offers 8 (MIMO88SG) or 12 (MIMO1212SG) analogue signal outputs "OUT", all balanced and accepting line level signals.

Signal output connectors are 3 position screw terminal block. The wiring is:

- Hot or direct signal > Terminal +
- Cold or inverted signal > Terminal -
- Ground > Terminal ⊥

For UNBALANCED connections, leave the – terminal unconnected.



3.5. ETHERNET port for programming and control

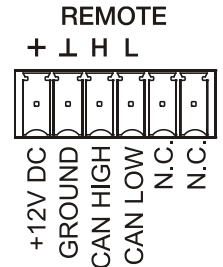
A RJ45 type connector allows connecting the equipment to an Ethernet network:

- Management from EclerNet Manager application. Please refer to the EclerNet Manager Software manual for more information.
- Possibility of direct connection (point to point) between a computer and a MIMO SG unit.
- Connection to third party other devices. (Crestron, AMX, Vity, Medialon, etc. Registered trademarks of their manufacturers). Protocol used: Ecler TP-NET. See the TP-NET protocol manual for more information.
- Connection to WPmSCREEN units (remote control of an entire network of EclerNet devices through custom graphic panels).

3.6. REMOTE port for digital remote controls

The REMOTE port allows the connection of digital remote control devices, such as the WPTOUCH wall panel or the MPAGE16 paging console. The REMOTE port is connected to the digital control bus the remote devices are daisy-chained to, the last one being loaded with a 120 Ω termination resistor between CAN HIGH and CAN LOW.

Refer to the remote device documentation (WPTOUCH, MPAGE16, etc) for more information about your connection and controls.



Please refer to the EclerNet Manager Software manual for more information about programming a MIMO SG to manage the remote devices that are connected to the REMOTE port.

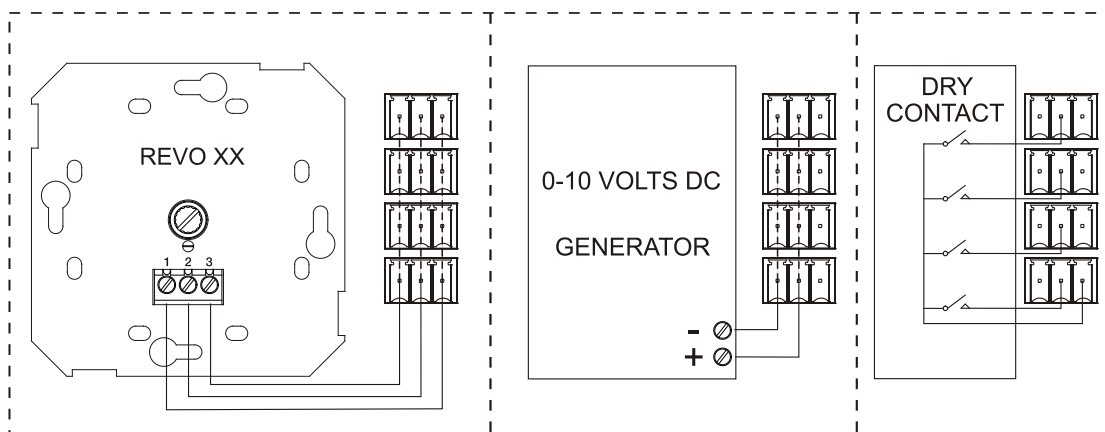
3.7. GPI Remote Control Ports

The rear panel of the MIMO SG offers 8 (MIMO88SG) or 12 (MIMO1212SG) GPI inputs for 0-10 VDC continuous control voltage. Each of these inputs can be connected to an external physical device (potentiometer, contact closure, continuously variable voltage 0-10V DC, etc.) and assigned to a MIMO SG function, as for example:

- Input, output channel or matrix crosspoint volume remote control by means of a WPmVOL physical knob or an Ecler WPm Series' WPVOL-IR remote control
- MUTE or SOLO activation/deactivation by means of a switch or contact closure
- Recalling a *preset* with a push button or contact closure

GPI connectors are screw terminal blocks with three-contacts. The wiring is as follows:

Positive, + 10 VDC	>	Pin +
Variable voltage, 0-10 VDC	>	Pin ↑
Ground	>	Pin ⊥



Examples of connection

Connecting cables can be up to 500 meters with a minimum section of 0.5 mm².

Consult your ECLER dealer or www.ecler.com about the WP series remote control wall panels and other accessories available for connection to the GPI port.

3.8. Remote control RS-232 Port

The built-in RS-232 port in the rear panel allows an external device to communicate with a MIMO SG unit via serial connection. Said connection uses the TP-NET protocol syntax so to enable the external device to obtain the value of any of the parameters of the MIMO SG unit (by "GET" commands) and/or modify said values ("SET" commands). See the TP-NET protocol manual for more information.

The serial connection should comply with the following specifications:

Baud rate: 57600 (fixed, no auto negotiation)

Data bits: 8

Parity: None

Stop bits: 1

Flow control: None

WIRING RS232 – DB9	
RS232	DB9
Tx	Pin 2 (RxD)
Rx	Pin 3 (TxD)
Gnd	Pin 5 (Signal Gnd)

3.9. Front panel controls and LED indicators

The following elements are available on the MIMO SG series front panel:

- Input LED indicators: indicate the presence of audio signal at the unit's input, and its intensity level (green, amber and red indicate in this order the increased intensity level)
- Output LED indicators: indicate the presence of audio signal at the unit's output, and its intensity level (green, amber and red indicate in this order the increased intensity level)
- Status LED indicators (STATUS):
 - DATA: Off: there is no connection to EclerNet Manager even if connected to Ethernet. On: connected to EclerNet Manager or to other third party application via TP-NET protocol. Flashing: data traffic with EclerNet Manager or another application.
 - POWER: Illuminates when the unit is in operation. It flashes if there is an error in the unit or if firmware is not correct. It also flashes when you update firmware

4. CLEANING

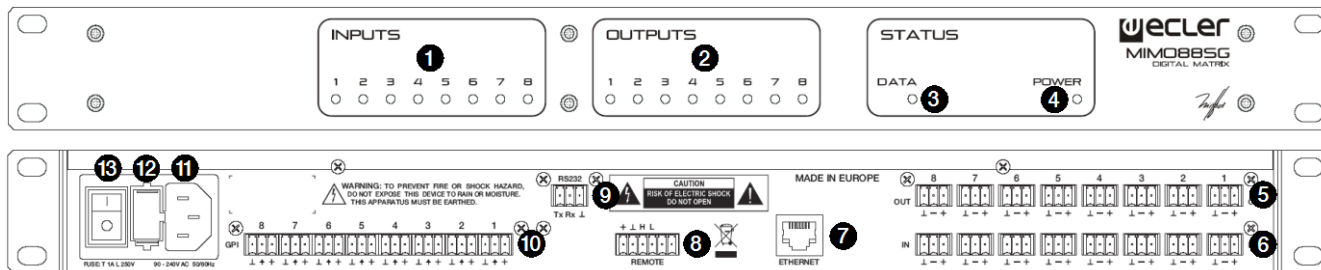
The front panel should not be cleaned with dissolvent or abrasive substances because silk-printing could be damaged. To clean it, use a soft cloth slightly wet with water and neutral liquid soap; dry it with a clean cloth. Be careful that water never gets into the unit through the holes of the front panel.

5. FUNCTION LIST

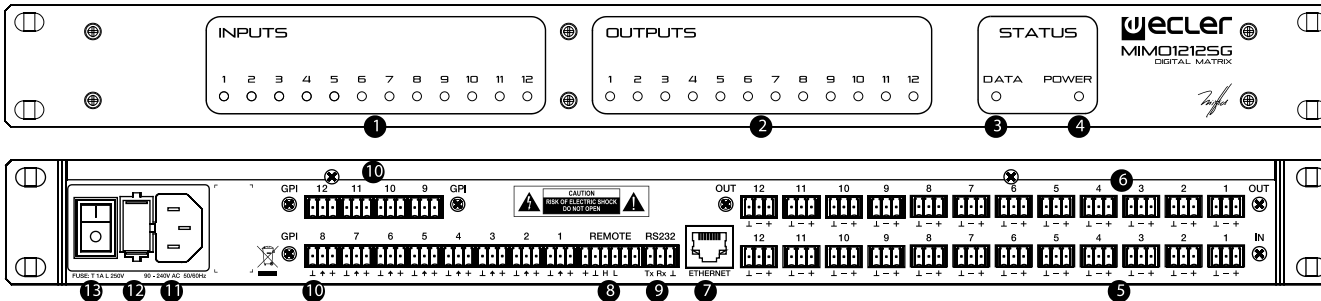
1. Input signal indicators, INPUTS
2. Output signal indicators, OUTPUTS
3. Data traffic indicator, DATA
4. Power on indicator, POWER
5. Signal output screw terminal, OUT
6. Signal input screw terminal, IN
7. RJ-45 connector, ETHERNET
8. Screw terminals for digital remote control, REMOTE
9. Screw-assembled remote control terminals via the TP-NET, RS-232 protocol
10. Screw terminals for continuous voltage control, GPI
11. Mains socket
12. Fuse holder
13. Power switch

6. FUNCTION DIAGRAMS

MIMO88SG



MIMO1212SG



Explicación de los Símbolos Gráficos

ES



El símbolo del relámpago con una flecha en la punta y dentro de un triángulo equilátero, tiene el propósito de alertar al usuario de la presencia de un voltaje peligroso y sin aislar dentro del aparato, y de una magnitud tal que puede constituir riesgo de descarga eléctrica para las personas.



El símbolo de exclamación dentro de un triángulo equilátero, tiene el propósito de alertar al usuario de la presencia de instrucciones importantes sobre la operación y mantenimiento en la información que viene con el producto.



Los símbolos de relámpagos dibujados cerca de los terminales de salida se utilizan para alertar al usuario del riesgo de descargas peligrosas. Los conectores de salida que podrían plantear algún riesgo se indican con este símbolo del relámpago.

Si se trata de un amplificador:

- No toque los terminales de salida mientras que el amplificador esté encendido.
- Hacer todas las conexiones con el amplificador apagado.

ADVERTENCIA: para prevenir choques eléctricos o riesgo de incendios, no exponer este equipo a la lluvia o la humedad.

INSTRUCCIONES IMPORTANTES DE SEGURIDAD

1. Lea estas instrucciones
2. Guarde estas instrucciones
3. Preste atención a todas las advertencias
4. Siga todas las instrucciones
5. No utilice este aparato cerca del agua
6. Límpielo solamente con un paño seco
7. No bloquee ninguna abertura para ventilación. Instálelo de acuerdo con las instrucciones del fabricante
8. No lo instale cerca de fuentes de calor como radiadores, estufas u otros aparatos que produzcan calor, incluidos amplificadores.
9. No elimine el propósito de seguridad del cable de corriente polarizado o con conexión de tierra. Un cable polarizado tiene dos bornes, uno más ancho que el otro. Un enchufe con conexión a tierra, tiene dos bornes y un tercer borne conectado a tierra. Este tercer borne está previsto para su seguridad. Si el cable proporcionado no entra en su enchufe, consulte con un técnico electricista para reemplazar ese enchufe obsoleto.
10. Proteja el cable eléctrico de ser aplastado, en especial en la zona de los conectores, los receptáculos de los mismos y en el punto en el que el cable sale del aparato.
11. Utilice solamente los accesorios especificados por el fabricante.
12. Desconecte el aparato durante las tormentas eléctricas o cuando no lo vaya a usar durante periodos largos de tiempo.
13. Para cualquier reparación, póngase en contacto con un servicio técnico cualificado. La reparación es necesaria cuando el aparato no funciona con normalidad o ha sido dañado por cualquier motivo, ya sea porque el cable o el enchufe estén dañados, porque se hayan derramado líquidos o hayan caído objetos dentro del aparato, o porque el aparato haya sido expuesto a la lluvia o se haya caído.
14. Desconexión de la red: apagando el interruptor de POWER todas las funciones e indicadores del amplificador se pararán, pero la completa desconexión del aparato se consigue desconectando el cable de red de su conector. Por esta razón, éste siempre debe tener fácil acceso.

1. NOTA IMPORTANTE	11
1.1. Precauciones	11
2. INTRODUCCIÓN	11
3. INSTALACIÓN	12
3.1. Ubicación, montaje, ventilación	12
3.2. Conexión a red eléctrica y encendido	12
3.3. Conexiones de entrada de señal	12
3.4. Conexiones de audio de salida	12
3.5. Puerto ETHERNET de programación y control	13
3.6. Puerto REMOTE para controles remotos digitales	13
3.7. Puertos GPI de control remoto	14
3.8. Puerto RS-232 de control remoto	14
3.9. Controles e indicadores LED del panel frontal	15
4. LIMPIEZA	15
5. LISTA DE FUNCIONES	16
6. DIAGRAMAS DE FUNCIONAMIENTO	16
7. CARACTERÍSTICAS TÉCNICAS	33
8. DIAGRAMAS DE BLOQUES	39

Todos los datos están sujetos a variación debida a tolerancias de producción. ECLER S.A. se reserva el derecho de realizar cambios o mejoras en la fabricación o diseño que pudieran afectar las especificaciones.



1. NOTA IMPORTANTE

ES

Agradecemos su confianza por haber elegido nuestra matriz MIMO SG. Para conseguir la máxima operatividad y rendimiento de su equipo es MUY IMPORTANTE, antes de su conexión, leer detenidamente y tener muy presentes las consideraciones que en este manual se especifican.

Para garantizar el óptimo funcionamiento de este aparato recomendamos que su mantenimiento sea llevado a cabo por nuestros Servicios Técnicos autorizados.

Todos los modelos de la serie MIMO SG tienen una garantía de 3 años.

1.1. Precauciones

Este aparato debe ser conectado a tierra mediante su cable de alimentación.

No exponga el aparato a la caída de agua o salpicaduras, no ponga encima objetos con líquido ni fuentes de llama desnuda, como velas.



En caso de requerir alguna intervención y/o conexión desconexión del aparato debe desconectarse previamente de la alimentación.

En el interior del aparato no existen elementos manipulables por el usuario.



ATENCIÓN: PELIGRO DE DESCARGA ELÉCTRICA. NO ABRIR.

2. INTRODUCCIÓN

MIMO SG es una serie de matrices digitales de audio, totalmente programables y con las siguientes características principales:

- 8 (MIMO88SG) ó 12 (MIMO1212SG) entradas MICRO/LÍNEA simétricas (alimentación Phantom independiente por canal de entrada).
- 8 (MIMO88SG) ó 12 (MIMO1212SG) salidas de LÍNEA simétricas.
- 8 (MIMO88SG) ó 12 (MIMO1212SG) puertos de control GPI (*General Purpose Input*).
- Programación y gestión remota vía Ethernet mediante aplicación EclerNet Manager (bien punto a punto, con cable CAT5 directo, bien desde un puesto de red Ethernet).
- Control remoto mediante clientes Ethernet de EclerNet Manager: clientes simultáneos con panel de control personalizado.
- Control remoto mediante clientes UCP (User Control Panels) vía Ethernet: clientes simultáneos con panel de control personalizado, tipo Ecler WPmSCREEN, Android®, iOS®, Windows®, etc..
- Bus de control remoto para paneles digitales WPTOUCH y consolas de mensajes (*paging*) MPAGE16.
- Gestión de memorias de configuración (*presets*).
- Eventos programados en base a calendario.
- Amplio procesamiento DSP disponible:
 - Matriz enrutadora-mezcladora, desde cualquier entrada hacia cualquier salida con nivel de puntos de cruce ajustable (mezclas independientes de diferentes entradas para cada salida).
 - Tratamiento de canales en modo mono o estéreo.
 - Nivel, enmudecimiento, vu-metros y ajuste de fase en entradas y salidas.
 - Generador de señal interno (señal senoidal, ruido rosa, ruido blanco, test de polaridad).
 - EQ paramétrica en entradas y en salidas.
 - Retardos en entradas y en salidas.
 - Puerta de ruido / compresor en canales de entrada.
 - Compresor / limitador en salidas.
 - Prioridades (*ducking*) entre canales de entrada.
 - Consolas de mensajes (*paging*) virtuales y físicas.
 - Versión de firmware estándar MIMO88SG / MIMO1212SG (de uso genérico) y alternativa, para aplicaciones de conferencia (versión MIMO88SG / MIMO1212SG CONFERENCE). Ambas versiones de firmware son compatibles con el hardware MIMO88SG / MIMO1212SG, pudiendo actualizar dicho hardware con una u otra libremente

La programación de un MIMO SG se realiza mediante la aplicación EclerNet Manager*. Consulte el manual de la Aplicación EclerNet Manager para obtener más información.

* La aplicación EclerNet Manager se encuentra disponible para su descarga en www.ecler.com.

3. INSTALACIÓN

3.1. Ubicación, montaje, ventilación

La serie MIMO SG ha sido especialmente diseñada para su ubicación en muebles rack de 19", ocupando una unidad de altura.

Es muy importante que, como elemento generador de calor que es, el MIMO SG no esté completamente encerrado ni expuesto a temperaturas extremas. Debe favorecerse el paso de aire fresco a través de los orificios de ventilación del chasis, dejando al menos una unidad de rack libre entre cada equipo y los instalados encima y debajo de él en el bastidor de rack.

Si la instalación consta de varios amplificadores en el mismo rack o se realiza dentro de armarios cerrados mediante puertas, es altamente recomendable dotar a éstos de ventilación forzada ascendente, instalando ventiladores en sus extremos inferior y superior. Dicho flujo ascendente de ventilación favorecerá la disipación del calor generado en su interior.

3.2. Conexión a red eléctrica y encendido

Todos los modelos de la serie MIMO SG funcionan con tensión alterna de 90 a 264V y 47 a 63Hz. Este aparato equipa una fuente de alimentación sobredimensionada capaz de adaptarse sin ningún tipo de ajuste a la tensión de red de cualquier país del mundo.

En el panel posterior, y junto al conector IEC de alimentación, existe un interruptor de encendido / apagado de la unidad. En el panel frontal existe un indicador LED que se ilumina cuando al unidad se encuentra en funcionamiento.

Debe evitarse que el cable de red se entremezcle y discorra paralelo a los cables blindados que transportan la señal de audio, ya que ello podría ocasionar zumbidos.

3.3. Conexiones de entrada de señal

Los MIMO SG disponen en su panel posterior de 8 (MIMO88SG) ó 12 (MIMO1212SG) entradas analógicas de señal "IN", simétricas y que admiten niveles de línea o micrófono. La selección del tipo de señal de entrada y su gestión se realiza desde la aplicación EclerNet Manager. Consulte el manual de la aplicación EclerNet Manager para obtener más información.

Los conectores de entrada de señal son del tipo de regleta de tornillos de tres contactos. La asignación del conexionado es la siguiente:

Vivo o señal directa	>	Terminal +
Frío o señal invertida	>	Terminal -
Masa	>	Terminal ⊥

Para conexiones NO balanceadas cortocircuitar a masa el terminal -.

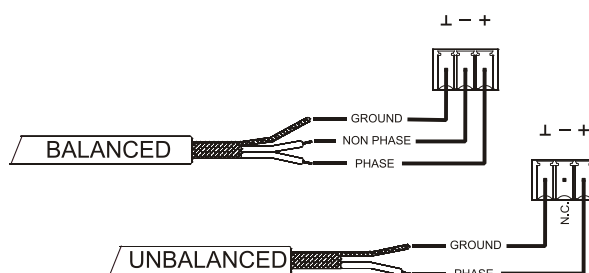
3.4. Conexiones de audio de salida

Los MIMO SG disponen en su panel posterior de 8 (MIMO88SG) ó 12 (MIMO1212SG) salidas analógicas de señal "OUT", simétricas y con nivel de línea.

Los conectores de salida de señal son del tipo de regleta de tornillos de tres contactos. La asignación del conexionado es la siguiente:

Vivo o señal directa	>	Terminal +
Frío o señal invertida	>	Terminal -
Masa	>	Terminal ⊥

Para conexiones NO balanceadas dejar sin conectar el terminal -.



3.5. Puerto ETHERNET de programación y control

ES

Un conector tipo RJ45 permite la conexión del equipo a una red Ethernet:

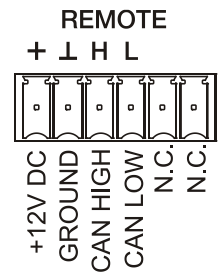
- Gestión desde la aplicación EclerNet Manager. Consulte el manual de la Aplicación EclerNet Manager para obtener más información.
- Posibilidad de conexión directa (punto a punto) de un ordenador con una unidad MIMO SG.
- Conexión a otros aparatos de terceros. (Crestron, AMX, Vity, Medialon, etc. Marcas registradas por sus fabricantes). Protocolo empleado: Ecler TP-NET. Consulte el manual del protocolo TP-NET para más información.
- Conexión a unidades WPmSCREEN (control remoto de toda una red de dispositivos EclerNet mediante paneles gráficos hechos a medida)

3.6. Puerto REMOTE para controles remotos digitales

El puerto REMOTE permite la conexión de dispositivos digitales de control remoto, como el panel mural WPTOUCH o la consola de mensajes (*paging*) MPAGE16. Al puerto REMOTE se conectará el bus de control digital, en el cual los dispositivos remotos se hallarán encadenados (*daisy-chain*) y el último de ellos cargado con una resistencia terminal de 120 Ω entre CAN HIGH y CAN LOW.

Consulte la documentación del dispositivo remoto (WPTOUCH, MPAGE16, etc.) para más información acerca de su conexionado y controles.

Consulte el manual de la Aplicación EclerNet Manager para obtener más información acerca de la programación de un MIMO SG para gestionar los dispositivos remotos conectados al puerto REMOTE.



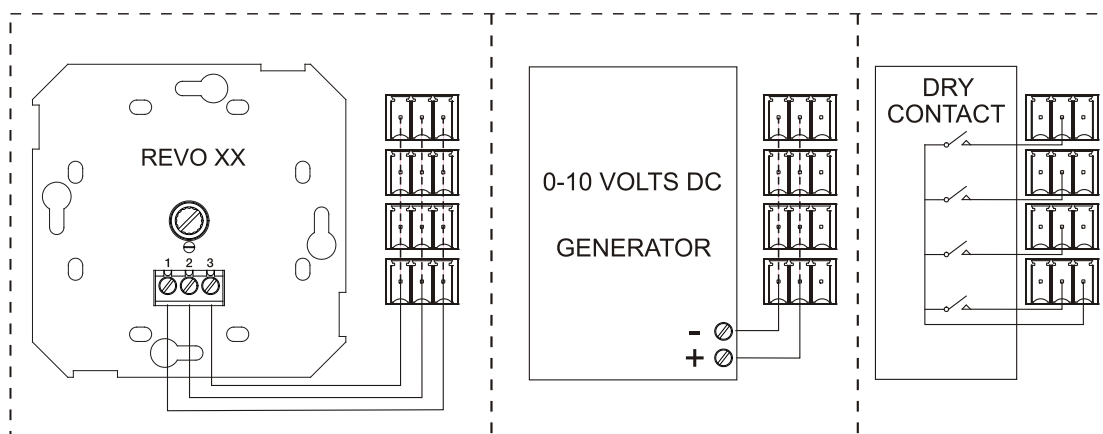
3.7. Puertos GPI de control remoto

Una unidad MIMO SG dispone en su panel posterior de 8 (MIMO88SG) ó 12 (MIMO1212SG) entradas GPI de control por tensión continua, 0 a 10 VDC. Cada una de estas entradas puede conectarse a un dispositivo físico externo (un potenciómetro, un cierre de contacto, una tensión continua 0-10V variable, etc.) y asociarse a una función del MIMO SG, como por ejemplo:

- Control remoto de un volumen de canal de entrada, salida o punto de cruce de la matriz mediante un potenciómetro físico WPMVOL o un control remoto WPVOL-IR de la serie WPM de Ecler
- Activación / desactivación de un MUTE o SOLO mediante un pulsador o cierre de contacto
- Recuperación de un *preset* mediante un pulsador o cierre de contacto

Los conectores GPI son del tipo de regleta de tornillos de tres contactos. La asignación del conexionado es la siguiente:

Positivo, + 10 VDC	>	Terminal +
Tensión variable, 0-10 VDC	>	Terminal ↑
Masa	>	Terminal ⊥



Algunos ejemplos de conexionado

Los cables de conexión pueden ser de hasta 500 metros aproximadamente, utilizando una sección mínima de 0,5 mm².

Consulte a su distribuidor ECLER o bien en www.ecler.com acerca de los paneles murales de control remoto serie WPM y otros accesorios disponibles para la conexión a puertos GPI.

3.8. Puerto RS-232 de control remoto

El puerto RS-232 integrado en el panel posterior permite que un dispositivo externo se comunique con una unidad MIMO SG mediante conexión serie. Dicha conexión empleará la sintaxis del protocolo TP-NET para que el dispositivo externo pueda obtener el valor de alguno de los parámetros de la unidad MIMO SG (mediante comandos "GET") y/o modifique dichos valores (comandos "SET"). Consulte el manual del protocolo TP-NET para más información.

La conexión serie debe cumplir con las siguientes características:

- Baud rate: 57600 (fixed, no auto negotiation)
- Data bits: 8
- Parity: None
- Stop bits: 1
- Flow control: None

CABLEADO RS232 – DB9	
RS232	DB9
Tx	Terminal 2 (RxD)
Rx	Terminal 3 (TxD)
Gnd	Terminal 5 (Signal Gnd)

3.9. Controles e indicadores LED del panel frontal

ES

Los MIMO SG disponen en su panel frontal de los siguientes elementos:

- Indicadores LED de entradas: muestran la presencia de señal de audio en las entradas de la unidad, y su nivel de intensidad (colores verde, ámbar y rojo, que corresponden por este orden a un nivel creciente de intensidad)
- Indicadores LED de salidas: muestran la presencia de señal de audio en las salidas de la unidad, y su nivel de intensidad (colores verde, ámbar y rojo, que corresponden por este orden a un nivel creciente de intensidad)
- Indicadores LED de estado (STATUS):
 - DATA: Apagado, no existe conexión con el EclerNet Manager aunque esté conectado a ETHERNET. Encendido, conectado al EclerNet Manager o conectado a la aplicación de terceros mediante el protocolo TP-NET. Parpadea, tráfico de datos con el EclerNet Manager u otros.
 - POWER: Se ilumina cuando la unidad se halla en funcionamiento. Si parpadea hay error en la unidad o el firmware no es correcto. También parpadea al actualizar el firmware

4. LIMPIEZA

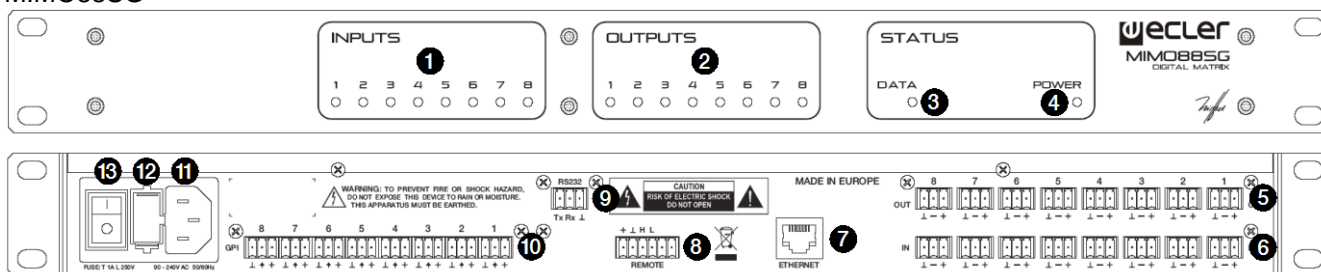
La carátula no deberá limpiarse con sustancias disolventes o abrasivas puesto que se corre el riesgo de deteriorar la serigrafía. Para su limpieza se utilizará un trapo humedecido con agua y un detergente líquido neutro, secándola a continuación con un paño limpio. En ningún caso se debe permitir la entrada de agua por cualquiera de los orificios del aparato.

5. LISTA DE FUNCIONES

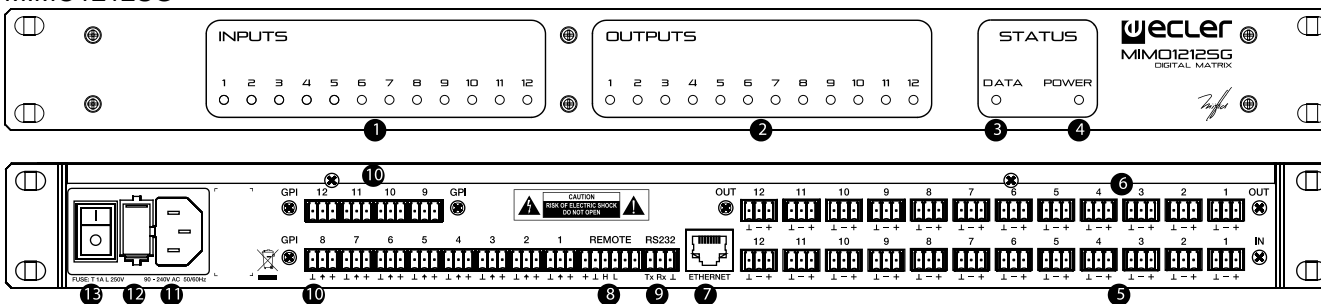
1. Indicadores luminosos de señal de entrada, INPUTS
2. Indicadores luminosos de señal de salida, OUTPUTS
3. Indicador luminoso de tráfico de datos, DATA
4. Indicador luminoso de puesta en marcha, POWER
5. Terminales atornillables salida de señal, OUT
6. Terminales atornillables entrada de señal, IN
7. Conector RJ-45, ETHERNET
8. Terminales atornillables de control remoto digital, REMOTE
9. Terminales atornillables de control remoto mediante protocolo TP-NET, RS-232
10. Terminales atornillables de control por tensión continua, GPI
11. Base de toma de red
12. Portafusible
13. Interruptor de puesta en marcha

6. DIAGRAMA DE FUNCIONAMIENTO

MIMO88SG



MIMO1212SG



Explication des symboles graphiques

FR



Le symbole d'éclair avec une flèche, à l'intérieur d'un triangle équilatéral, avertit l'utilisateur de la présence d'une « tension dangereuse », non isolée, à l'intérieur de l'enceinte du produit, assez importante pour constituer un risque d'électrocution des personnes.



Le point d'exclamation dans un triangle équilatéral avertit l'utilisateur de l'existence d'importantes instructions d'opération et de maintenance (entretien courant) dans les documents qui accompagnent l'appareil.



Les éclairs imprimés à côté des bornes de sortie OUTPUT sont destinés à alerter l'utilisateur du risque présenté par une tension dangereuse. Les connecteurs de sortie qui pourraient constituer un risque sont marqués de cet éclair.

Si l'appareil est un amplificateur :

- Ne touchez pas les bornes de sortie lorsque l'amplificateur est en marche.
- Réalisez toutes les connexions lorsque l'amplificateur est éteint.

AVERTISSEMENT : afin d'éviter tout incendie ou électrocution, n'exposez pas cet appareil à la pluie ou l'humidité

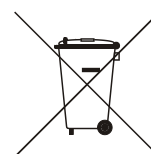
CONSIGNES DE SÉCURITÉ IMPORTANTES

1. Lisez ces instructions.
2. Conservez ces instructions.
3. Prenez en compte tous les avertissements.
4. Suivez toutes les instructions.
5. N'utilisez pas cet appareil près de l'eau.
6. Nettoyez-le uniquement à l'aide d'un chiffon sec.
7. Ne bloquez pas les ouvertures d'aération. Installez-le en respectant les instructions du fabricant.
8. Ne l'installez pas près de sources de chaleur telles que des radiateurs, des bouches d'air chaud, des cuisinières ou d'autres appareils (amplificateurs inclus) qui produisent de la chaleur.
9. Ne neutralisez pas la fonction de sécurité de la fiche polarisée ou de terre du cordon d'alimentation. Une fiche polarisée a deux lames, l'une plus large que l'autre. Une fiche de terre a deux broches identiques et une troisième pour la mise à la terre. Cette troisième broche est destinée à votre sécurité. Si le câble fourni ne rentre pas dans la prise, demandez à un électricien de remplacer cette prise obsolète.
10. Protégez le cordon d'alimentation afin qu'il ne soit ni écrasé ni pincé, en particulier au niveau des fiches, des prises de courant et à l'endroit où ils sortent de l'appareil.
11. N'utilisez que des accessoires recommandés par le fabricant.
12. Débranchez l'appareil en cas d'orage ou s'il n'est pas utilisé pendant une longue période.
13. Pour toute réparation, veuillez contacter un service technique qualifié. Une réparation est nécessaire si l'appareil ne fonctionne pas normalement ou a été endommagé d'une quelconque façon, par exemple si le cordon ou la fiche d'alimentation est endommagé, si du liquide a été renversé sur l'appareil ou si des objets sont tombés dedans, si l'appareil a été exposé à la pluie ou est tombé.
14. Déconnexion du secteur : appuyer sur l'interrupteur POWER (13) désactive les fonctions et les voyants de l'amplificateur, mais la déconnexion totale de l'appareil s'effectue en débranchant le cordon d'alimentation du secteur (11). C'est la raison pour laquelle vous devez toujours y avoir facilement accès.

TABLE DES MATIÈRES

1. NOTE IMPORTANTE	19
1.1. Précautions	19
2. INTRODUCTION	19
3. INSTALLATION	20
3.1. Localisation, montage, ventilation	20
3.2. Raccordement au réseau électrique et mise sous tension	20
3.3. Branchement de l'entrée du signal	20
3.4. Connexions de sortie audio	20
3.5. Port Ethernet pour la programmation et la commande	21
3.6. Port REMOTE pour télécommandes numériques	21
3.7. Ports GPI de télécommande	22
3.8. Port RS-232 pour contrôle à distance	22
3.9. Commandes et voyants à LED de la face avant	23
4. ENTRETIEN	23
5. LISTE DE FONCTIONS	24
6. SCHÉMAS DE FONCTIONNEMENT	24
7. CARACTÉRISTIQUES TECHNIQUES	33
8. SCHÉMAS SYNOPTIQUES	39

FR



ECLER S.A. se réserve le droit d'apporter à la fabrication ou à la conception des changements ou des améliorations susceptibles de modifier les caractéristiques.

1. NOTE IMPORTANTE

Nous vous remercions de la confiance que vous nous avez manifestée en choisissant notre matrice MIMOSG. Pour en tirer le meilleur rendement et un fonctionnement maximal, il est TRÈS IMPORTANT de lire attentivement et de respecter les indications données dans ce manuel avant toute connexion. Pour obtenir le meilleur rendement de cet appareil, il est important que le entretien se réalise par notre Service Technique Ecler.

Tous les modèles de la série MIMOSG sont garantis pendant 3 ans.

1.1. Précautions

Cet appareil doit être impérativement relié à la terre via son câble d'alimentation.

Eviter tout contact avec l'eau. L'appareil doit être installé à l'écart de tout objet contenant un liquide ou de toute flamme nue, comme une bougie par exemple.



Avant toute intervention et/ou de connexion/déconnexion, le cordon d'alimentation de l'appareil doit être préalablement débranché.

Il n'existe aucun élément destiné à l'utilisateur à l'intérieur de l'appareil.



ATTENTION: RISQUE DE CHOC ELECTRIQUE. NE PAS OUVRIR.

2. INTRODUCTION

La série MIMOSG se compose de matrices audio numériques, totalement programmables, et ayant les caractéristiques principales suivantes :

- 8 (MIMO88SG) ou 12 (MIMO1212SG) entrées MICRO/LIGNE symétriques (alimentation fantôme indépendante par canal d'entrée).
- 8 (MIMO88SG) ou 12 (MIMO1212SG) sorties LIGNE symétriques.
- 8 (MIMO88SG) ou 12 (MIMO1212SG) ports d'entrée de commande GPI (*General Purpose Input*).
- Programmation et gestion à distance via Ethernet au moyen de l'application EclerNet Manager (ou point à point, avec un câble CAT5 direct, ou depuis un poste de réseau Ethernet).
- Commande à distance par UCP (User Control Panel) clients via Ethernet: clients simultanés avec panneau de contrôle personnalisé, type WPmSCREEN Ecler, Android®, iOS®, Windows®, etc.
- Commande à distance à partir de périphériques externes de tierces parties (Crestron, AMX, Vity, Medialon, etc. Marques déposées par leurs fabricants). Protocole TP-NET par ports Ethernet ou RS-232.
- Bus de commande à distance pour panneaux numériques WPTOUCH et consoles de messages (*radiomessagerie*) MPAGE16.
- Gestion des mémoires de configuration (*presets*).
- Événements programmés sur la base du calendrier.
- Abondant traitement DSP :
 - Matrice de routage/mélangeur, de n'importe quelle entrée à n'importe quelle sortie avec niveau réglable des points de croisement (mixages indépendants de différentes entrées pour chaque sortie).
 - Traitement des canaux en mono ou en stéréo.
 - Niveau, coupure du son (Mute), VU-mètres et réglage de phase pour les entrées et pour les sorties.
 - Générateur de signal interne (onde sinusoïdale, bruit rose, bruit blanc, test de polarité).
 - Égaliseur paramétrique sur les entrées et les sorties.
 - Retards sur les entrées et les sorties.
 - Noise gate/compresseur sur les canaux d'entrée.
 - Compresseur/limiteur sur les sorties.
 - Priorités (*ducking*) entre les canaux d'entrée.
 - Consoles de messages (*paging*) virtuelles et physiques.
 - Mélangeur automatique.
 - Version standard MIMO88SG/MIMO1212SG du micrologiciel interne (firmware) (pour l'utilisation générique) et version alternative, pour des applications de conférence (version MIMO88SG/MIMO1212SG CONFERENCE). Les deux versions du firmware sont compatibles avec le matériel MIMO88SG/MIMI1212SG, qui peut être librement actualisé au moyen de l'une ou de l'autre.

La programmation du MIMOSG se fait au moyen de l'application EclerNet Manager*. Consultez le mode d'emploi de l'application EclerNet Manager pour obtenir davantage d'informations.

* L'application EclerNet Manager est disponible sur www.ecler.com.

3. INSTALLATION

3.1. Localisation, montage, ventilation

La série MIMOSG a été spécialement conçue pour un montage en rack 19", occupant une unité de hauteur. Il est très important que, produisant de la chaleur, le MIMO88SG ne soit pas complètement enfermé ni exposé à des températures extrêmes. Il est également nécessaire de favoriser le passage d'air frais à travers les orifices de ventilation du châssis, en laissant au moins une unité de rack libre entre chaque appareil et ceux installés au dessus et en dessous de lui dans le rack.

Si l'installation comprend plusieurs amplificateurs dans le même rack ou se fait dans une armoire fermée par des portes, il est fortement conseillé de la doter d'une ventilation forcée ascendante, en installant des ventilateurs à ses extrémités supérieure et inférieure. Ce flux ascendant de ventilation favorisera la dissipation de la chaleur produite à l'intérieur.

FR

3.2. Raccordement au réseau électrique et mise sous tension

Tous les modèles de la série MIMOSG fonctionnent sur courant alternatif de 90 à 264 V (47 à 63 Hz). Tous les modèles sont équipés d'une source d'alimentation capable de s'adapter sans aucun réglage spécifique à la tension secteur en vigueur dans le pays concerné.

En face arrière, et à côté du connecteur d'alimentation IEC, se trouve un interrupteur marche/arrêt de l'unité. Sur la face avant, un voyant à LED s'allume lorsque l'appareil est en service.

Évitez de mêler les cordons secteur et les cordons audio, cela peut provoquer des ronflements.

3.3. Branchement de l'entrée du signal

Un MIMOSG dispose en face arrière de 8 (MIMO88SG) ou 12 (MIMO1212SG) entrées "IN" symétriques pour signal analogique, acceptant un niveau ligne ou microphone. La sélection du type de signal d'entrée et sa gestion se font depuis l'application EclerNet Manager. Consultez le mode d'emploi de l'application EclerNet Manager pour obtenir davantage d'informations.

Les connecteurs d'entrée du signal sont de type borniers vissables à trois contacts. L'assignation du câblage est la suivante :

Point chaud (signal direct)	>	Terminal +
Point froid (signal inversé)	>	Terminal -
Masse	>	Terminal ⊥

Pour les branchements asymétriques relier le point - à la masse.

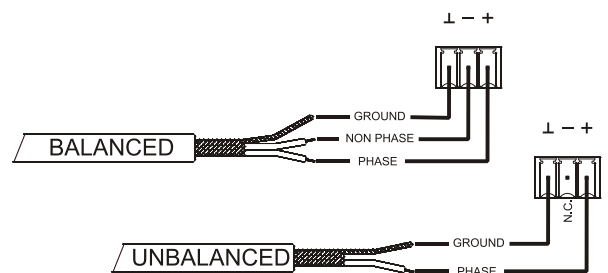
3.4. Connexions de sortie audio

Un MIMOSG dispose en face arrière de 8 (MIMO88SG) ou 12 (MIMO1212SG) sorties "OUT" pour signal analogique (5), symétriques et de niveau de ligne.

Les connecteurs de sortie du signal sont de type borniers vissables à trois contacts. L'assignation du câblage est la suivante :

Point chaud (signal direct)	>	Terminal +
Point froid (signal inversé)	>	Terminal -
Masse	>	Terminal ⊥

Pour les connexions ASYMÉTRIQUES, ne pas connecter la borne -.



3.5. Port ETHERNET pour la programmation et la commande

Un connecteur de type RJ45 (7) permet la connexion de l'équipement à un réseau Ethernet :

FR

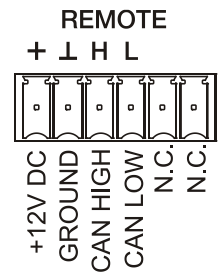
- Gestion depuis l'application EclerNet Manager. Consultez le mode d'emploi de l'application EclerNet Manager pour obtenir davantage d'informations.
- Possibilité de connexion directe (point à point) d'un ordinateur à une unité MIMOSG.
- Connexion à d'autres appareils de tierces parties (Crestron, AMX, Vity, Medialon, etc. Marques déposées par leurs fabricants). Protocole utilisé : Ecler TP-NET. Se reporter au manuel du protocole TP-NET pour de plus amples informations.
- Connexion aux unités WPmSCREEN (contrôle à distance de tout un réseau de dispositifs EclerNet au moyen de panneaux graphiques personnalisés)

3.6. Port REMOTE pour télécommandes numériques

Le port REMOTE permet la connexion de dispositifs numériques de télécommande, comme le panneau mural WPTOUCH ou la console d'annonces (*messagerie*) MPAGE16. Au port REMOTE se connecte le bus de contrôle numérique, auquel les dispositifs distants sont enchaînés (*en guirlande*), le dernier recevant une résistance terminale de $120\ \Omega$ entre CAN HIGH et CAN LOW.

Consultez la documentation de l'appareil distant (WPTOUCH, MPAGE16, etc.) pour plus d'informations sur votre connexion et vos commandes.

Reportez-vous au manuel de l'application EclerNet Manager afin d'obtenir plus d'informations sur la programmation d'un MIMOSG pour gérer les dispositifs distants connectés au port REMOTE.



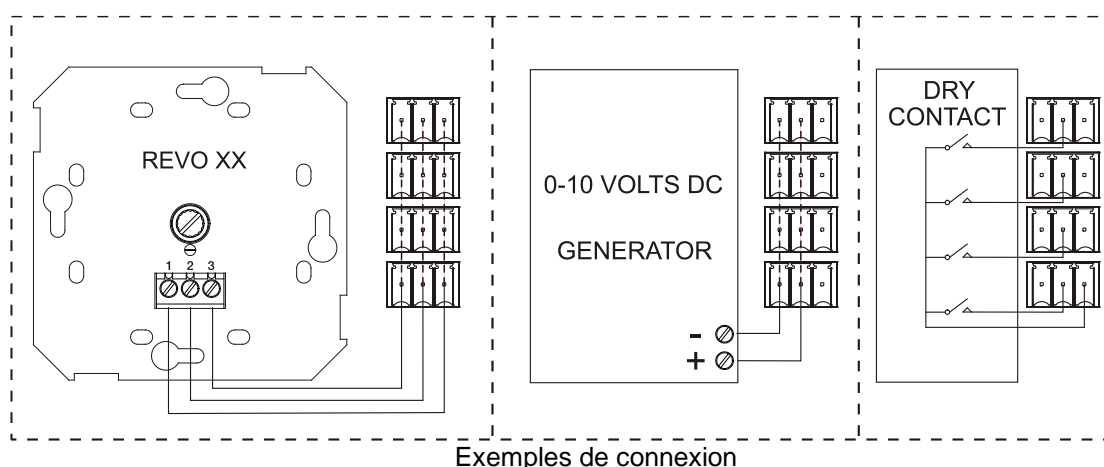
3.7. Ports GPI de télécommande

En face arrière, le MIMOSG dispose de 8 (MIMO88SG) ou 12 (MIMO1212SG) entrées GPI de commande continue par tension, CC 0-10 V. Chacune de ces entrées peut être connectée à un périphérique physique externe (un potentiomètre, une fermeture de contact, une tension variable en continu de CC 0-10 V, etc) et associée à une fonction du MIMO88SG, par exemple :

- Télécommande du volume d'un canal d'entrée, de sortie ou d'un point de croisement de matrice par le biais d'un potentiomètre physique WPVOL ou d'une télécommande WPVOL-IR de la série WP Ecler
- Activation/désactivation d'un MUTE ou d'un SOLO par un commutateur ou une fermeture de contact
- Rappel d'un préréglage (*preset*) au moyen d'un bouton-poussoir ou d'une fermeture de contact

Les connecteurs GPI sont de type borniers vissables à trois contacts. L'assignation des connecteurs est la suivante :

- | | | |
|-----------------------------|---|---------|
| Positif, CC +10 V | > | Borne + |
| Tension variable, CC 0-10 V | > | Borne ↑ |
| Masse | > | Borne ↓ |



Les câbles de connexion peuvent mesurer jusqu'à environ 500 mètres, s'ils ont une section minimale de 0,5 mm².

Consultez votre distributeur ECLER ou le site www.ecler.com pour en savoir plus sur les panneaux muraux de télécommande de la gamme WP et autres accessoires disponibles pour la connexion au port REMOTE/VCA.

3.8. Port RS-232 pour contrôle à distance

Le port RS-232 intégré au panneau arrière permet la communication entre un dispositif externe et une unité MIMOSG à travers une connexion série. Cette connexion fait appel à la syntaxe du protocole TP-NET afin que le dispositif externe puisse obtenir la valeur de l'un des paramètres de l'unité MIMOSG (via les commandes « GET ») et/ou modifier ces valeurs (commandes « SET »). Se reporter au manuel du protocole TP-NET pour de plus amples informations.

La connexion série doit satisfaire les caractéristiques suivantes :

- Débit en bauds : 57600 (fixe, sans auto-négociation)
- Bits de données : 8
- Parité : None
- Bits d'arrêt : 1
- Contrôle de flux : aucun

CABLAGE RS232 – DB9	
RS232	DB9
Tx	Broche 2 (RxD)
Rx	Broche 3 (TxD)
Gnd	Broche 5 (masse du signal)

3.9. Commandes et voyants à LED de la face avant

Les éléments suivants sont disponibles en face avant de la série MIMOSG :

FR

- Voyants d'entrée à LED (1) : indiquent la présence d'un signal audio en entrée de l'unité, et son niveau d'intensité (les couleurs verte, ambre et rouge correspondent dans cet ordre à l'augmentation du niveau d'intensité)
- Voyants de sortie à LED (2) : indiquent la présence d'un signal audio en sortie de l'unité, et son niveau d'intensité (les couleurs verte, ambre et rouge correspondent dans cet ordre à l'augmentation du niveau d'intensité)
- Voyants de statut à LED (STATUS) :
 - DATA : (3) Éteint : il n'y a aucun lien avec l'application EclerNet Manager même avec une connexion à Ethernet. Allumé : connecté à l'application EclerNet Manager ou à d'autres applications tierces par protocole TP-NET. Clignotant : échange de données avec l'application EclerNet Manager ou d'autres.
 - POWER : (4) s'allume lorsque l'appareil est en fonctionnement. S'il clignote, erreur dans l'unité ou le firmware n'est pas correct. Il clignote également lorsque vous mettez à jour le firmware.

4. ENTRETIEN

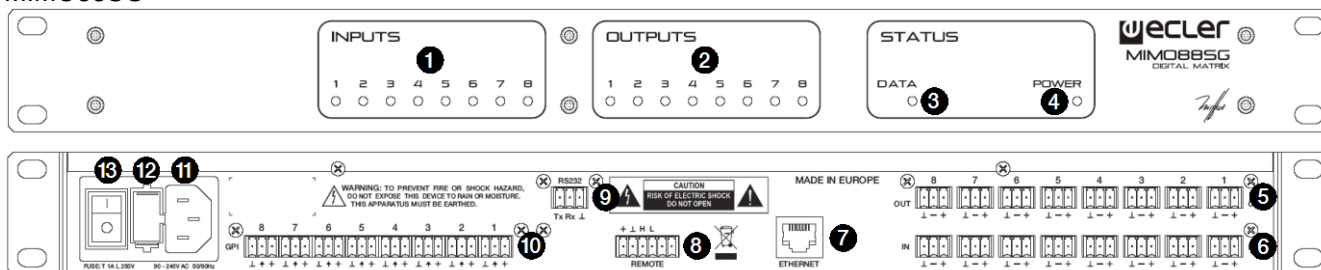
Il est interdit d'utiliser des substances dissolvantes ou abrasives pour nettoyer la face avant, celles-ci détériorant la sérigraphie. . Pour le nettoyage, utilisez un chiffon humidifié par de l'eau et un détergent liquide léger, puis séchez avec un chiffon propre. En aucun cas de l'eau ne doit entrer par l'un des orifices de l'appareil.

5. LISTE DE FONCTIONS

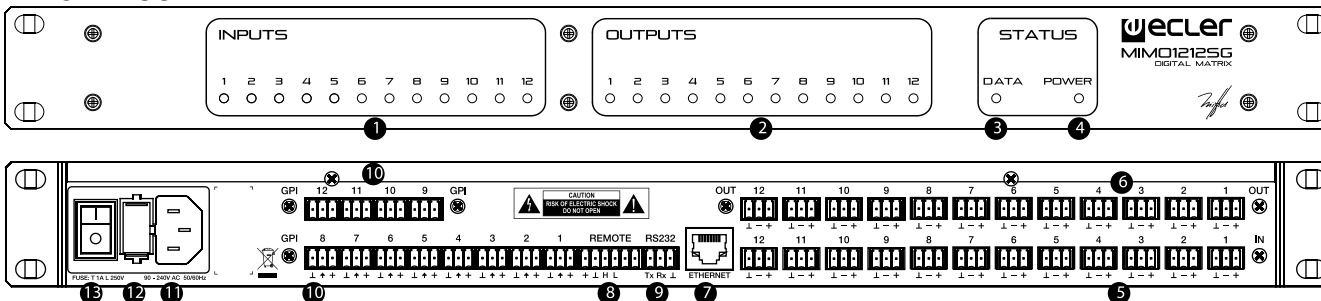
1. Voyants de signal d'entrée, INPUTS
2. Voyants de signal de sortie, OUTPUTS
3. Voyant de trafic de données, DATA
4. Voyant de mise sous tension, POWER
5. Borniers vissables de sortie de signal, OUT
6. Borniers vissables d'entrée de signal, IN
7. Connecteur RJ-45, ETHERNET
8. Borniers vissables pour télécommande numérique, REMOTE
9. Borniers vissables pour contrôle à distance via protocole TP-NET, RS-232
10. Borniers vissables pour contrôle continu par tension, GPI
11. Embase secteur
12. Porte-fusible
13. Interrupteur de mise sous tension

6. SCHEMAS DE FONCTIONNEMENT

MIMO88SG



MIMO1212SG



Erklärung der grafischen Darstellungen



Das Blitzsymbol mit dem Pfeil innerhalb eines gleichseitigen Dreiecks soll den Benutzer vor nicht isolierter „gefährlicher Spannung“ innerhalb des Produktgehäuses warnen, die hoch genug ist, um einem Menschen einen elektrischen Schlag zu versetzen.

DE



Das Ausrufezeichen innerhalb eines gleichseitigen Dreiecks soll den Benutzer darauf hinweisen, dass mit dem Gerät wichtige Gebrauchs- und Wartungs-(Service-)anleitungen in dieser Gebrauchsanweisung geliefert wurden.



Die Blitzsymbole neben den AUSGÄNGEN des Verstärkers sollen den Benutzer auf Risiken durch gefährliche Energie aufmerksam machen. Ausgangsanschlüsse, die ein Risiko darstellen könnten, sind mit dem Blitzsymbol gekennzeichnet.

Es handelt sich um einen Verstärker:

- Ausgänge nicht bei eingeschaltetem Verstärker berühren.
- Nehmen Sie Anschlüsse nur bei ausgeschaltetem Gerät vor.

WARNUNG: Wegen Feuer- und Stromschlaggefahr, das Gerät niemals Regen oder Feuchtigkeit aussetzen.

WICHTIGE SICHERHEITSHINWEISE

1. Lesen Sie diese Anweisung durch.
2. Bewahren Sie diese Anweisung gut auf.
3. Beachten Sie alle Warnhinweise.
4. Befolgen Sie alle Anweisungen.
5. Benutzen Sie das Gerät nicht in der Nähe von Wasser.
6. Reinigen Sie es nur mit einem trockenem Tuch.
7. Blockieren Sie keine Lüftungsöffnungen. Das Gerät sollte gemäß den Herstellerangaben installiert werden.
8. Stellen Sie das Gerät nicht in der Nähe von Wärmequellen wie Heizkörpern, Radiatoren, Öfen oder anderen Geräten (einschließlich Verstärkern), die Wärme erzeugen, auf.
9. Annullieren Sie nicht den Sicherheitsmechanismus des gepolten oder geerdeten Steckers. Ein gepolter Stecker hat zwei Stifte, wobei einer davon breiter ist. Ein geerdeter Stecker hat zwei Stifte und einen dritten Erdungsstift. Der breite bzw. dritte Stift dient Ihrer Sicherheit. Wenn der mitgelieferte Stecker nicht in Ihre Steckdose passt, wenden Sie sich an einen Elektriker, um die veraltete Steckdose auszutauschen.
10. Sorgen Sie dafür, dass niemand auf das Netzkabel tritt und dass es nicht gequetscht wird, insbesondere an Steckern, Steckerbuchsen und an der Stelle, an dem es aus dem Gerät kommt.
11. Verwenden Sie nur die vom Hersteller angegebenen Zusatzgeräte/Zubehörteile.
12. Ziehen Sie bei einem Gewitter oder wenn das Gerät längere Zeit nicht verwendet wird den Netzstecker.
13. Alle Servicearbeiten sind von qualifiziertem Fachpersonal durchzuführen. Servicearbeiten sind notwendig, wenn das Gerät in jeglicher Art beschädigt wurde, z. B. wenn das Netzkabel oder der Netzstecker beschädigt ist, wenn Flüssigkeiten über das Gerät geschüttet wurde oder Gegenstände hineingefallen sind, es Regen oder Feuchtigkeit ausgesetzt wurde, nicht normal funktioniert oder heruntergefallen ist.
14. Vom Stromnetz trennen: Durch Ausschalten des POWER-Schalters (13) werden alle Funktionen gestoppt und die Anzeigen des Verstärkers erlöschen. Das Gerät wird aber nur durch Ziehen des Netzsteckers (11) vollständig vom Stromnetz getrennt. Deshalb müssen Netzstecker und Steckdose leicht zugänglich sein.

INHALTSVERZEICHNIS

1. WICHTIGE VORBEMERKUNG	27
1.1. Sicherheitsmaßnahmen	27
2. EINFÜHRUNG	27
3. INSTALLATION	28
3.1. Platzierung, Montage und Lüftung	28
3.2. Anschluss ans Stromnetz und Einschalten des Geräts	28
3.3. Anschluß der Signaleingänge	28
3.4. Audioausgangsanschlüsse	28
3.5. ETHERNET-Port für Programmierung und Steuerung	29
3.6. REMOTE-Port für digitale Fernsteuerung	29
3.7. GPI-Ports für Fernsteuerung	30
3.8. RS-232-Schnittstelle zur Fernsteuerung	30
3.9. Bedienelemente und LED-Anzeigen an der Vorderseite	31
4. REINIGUNG	31
5. FUNKTIONSLISTE	32
6. FUNKTIONSDIAGRAMME	32
7. TECHNISCHE DATEN	33
8. BLOCKSCHALTBILDER	39

DE

Alle Angaben sind ohne Gewähr. Messwerte können produktionsbedingten Schwankungen unterliegen. ECLER S.A. behält sich vor, Veränderungen am Gerät vorzunehmen, die zur Verbesserung des Produktes beitragen.



1. WICHTIGE VORBEMERKUNG

Wir bedanken uns für das Vertrauen, das Sie mit der Wahl unserer Matrix MIMO88SG in uns gesetzt haben. Um eine optimale Handhabung und die maximale Leistung zu erhalten, ist es SEHR WICHTIG, vor dem Anschluss des Geräts die in dieser Anleitung enthaltenen Hinweise aufmerksam durchzulesen und zu berücksichtigen.

Um einen optimalen Betrieb sicherzustellen, sollten eventuelle Reparaturen nur von unseren autorisierten Servicepartnern durchgeführt werden.

Sämtliche Modelle der MIMO SG-Reihe haben eine Garantie von 3 Jahren.

1.1. Sicherheitsmaßnahmen

Dieser Apparat muß mittels seines Netzkabels geerdet werden.

Es darf kein Regen oder andere Flüssigkeiten in das Gerät gelangen. Stellen Sie niemals Flüssigkeitbehälter oder flammende Gegenstände wie z.B. Kerzen auf die Gerätoberfläche. Bevor Sie den MIMO54 an andere Geräte anschließen, ziehen Sie immer den Netzstecker. Im Inneren der Endstufe befinden sich keine für den Benutzer gedachte Bedienelemente.



2. EINFÜHRUNG

Die MIMO SG ist eine Reihe voll programmierbarer, digitaler Audio-Matrizen mit den folgenden hauptsächlichsten Merkmalen:

- 8 (MIMO88SG) bzw. 12 (MIMO1212SG) symmetrische MICRO/LINE-Eingänge (unabhängige Phantomspeisung für jeden Eingangskanal)
- 8 (MIMO88SG) bzw. 12 (MIMO1212SG) symmetrische LINE-Ausgänge
- 8 (MIMO88SG) bzw. 12 (MIMO1212SG) GPI-Kontrolleingänge (*General Purpose Input*)
- Fernsteuerung und –programmierung über Ethernet mit EclerNet Manager (von Punkt zu Punkt mit direktem Cat.5-Kabel oder ausgehend von einem Ethernet-Netzpunkt)
- Fernsteuerung mittels UCP-Clients (User Control Panels) über Ethernet: mehrere Clients gleichzeitig mit individualisiertem Bedienpanel vom Typ Ecler WPmSCREEN, Android®, iOS®, Windows®, usw.
- Fernbedienung über Ethernet-Clients des EclerNet Managers: simultane Clients mit individuellem Bedienpanel
- Fernsteuerung mittels externer Vorrichtungen von Drittherstellern (Crestron, AMX, Vity, Medialon, usw. eingetragene Herstellermarken); TP-NET-Protokoll durch Ethernet- oder RS-232-Schnittstelle.
- Fernsteuerbus für digitale WPTOUCH-Panels und Nachrichtenkonsolen (*paging*) MPAGE16
- Steuerung von Konfigurationsspeichern (*presets*)
- Programmierte Ereignisse auf Kalenderbasis
- Umfassende DSP-Möglichkeiten:
 - Router-Mixer-Matrix, von jedem Eingang zu jedem Ausgang, mit einstellbarem Kreuzpunktpegel (unabhängige Mischung von unterschiedlichen Eingängen für jeden Ausgang)
 - Kanäle können in Mono- oder Stereobetrieb arbeiten
 - Pegel, Stummschaltung, VU-Meter und Phaseneinstellung an Ein- und Ausgängen
 - Interner Signalgenerator (Sinussignal, rosa Rauschen, weisses Rauschen, Polaritätstest)
 - parametrischer EQ an den Ein- und Ausgängen
 - Verzögerung an den Ein- und Ausgängen
 - Noise Gate / Kompressor an den Eingangskanälen
 - Kompressor / Limiter an den Ausgängen
 - Prioritäten (*ducking*) unter den Eingangskanälen
 - Virtuelle und physische Nachrichtenkonsolen (*paging*).
 - Automatischer Mischer.
 - Firmware Standardversion MIMO88SG / MIMO1212SG (zum allgemeinen Gebrauch) und alternativ für Konferenzschaltungen (Version MIMO88SG / MIMO1212SG CONFERENCE). Beide Firmware-Versionen sind mit der Hardware MIMO88SG / MIMO1212SG kompatibel, so dass diese Hardware beliebig mit einer der beiden Versionen aktualisiert werden kann.

Die Programmierung einer MIMO SG geschieht über die Anwendung EclerNet Manager*. Nähere Information hierzu finden Sie im Handbuch der Applikation EclerNet Manager.

* Die Applikation EclerNet Manager steht Ihnen unter www.ecler.com zur Verfügung.

3. INSTALLATION

3.1. Platzierung, Montage und Lüftung

Die Geräte der MIMO SG-Reihe wurden speziell für die Unterbringung in 19“-Racks konstruiert, wo sie eine HE ausfüllen.

Da die Geräte der MIMO SG-Reihe Hitze erzeugen, ist es sehr wichtig, dass sie freistehend aufgestellt und keinen extremen Temperaturen ausgesetzt werden. Es muss für freien Abzug der Luft aus den Lüftungsöffnungen des Gehäuses gesorgt werden, das heisst, unterhalb und oberhalb eines installierten Geräts muss jeweils eine HE des Racks freigelassen werden.

Hat eine Anlage mehrere Verstärker im gleichen Rack oder ist eine Anlage in einem mit Türen verschlossenen Schrank eingebaut, so wird wärmstens empfohlen, diese mit nach oben abgeführter Zwangsbelüftung auszustatten, d.h., Einbau von Ventilatoren unten und oben. Dieser nach oben fließende Lüftungsstrom begünstigt die Abführung der im Inneren des Racks oder Schranks erzeugten Wärme.

3.2. Anschluss ans Stromnetz und Einschalten des Geräts

Sämtliche Modelle der MIMO SG-Reihe können mit Wechselstrom zwischen 90 und 264V, 47 bis 63Hz betrieben werden. Diese Geräte sind mit einem überdimensionierten Netzteil ausgestattet, das sich ohne irgendwelche Einstellungen an alle weltweit vorhandenen Netzspannungen anpassen kann.

An der Rückseite befindet sich, dicht beim IEC-Anschluss, der Schalter zum Ein- und Ausschalten des Geräts (13). An der Vorderseite befindet sich eine LED-Anzeige (4), die aufleuchtet, wenn das Gerät eingeschaltet ist.

Das Netzkabel darf nicht in der Nähe von den abgeschirmten, signalführenden Leitungen verlegt werden, da dies ein Brummen verursachen könnte.

3.3. Anschluß der Signaleingänge

Die Geräte der MIMO SG-Reihe verfügen an ihrer Rückseite über 8 (MIMO88SG) bzw. 12 (MIMO1212SG) analoge Signaleingänge „IN“ ; diese sind symmetrisch und lassen Line- und Micropegel zu. Die Auswahl der Signalart des Eingangssignals und seine Steuerung geschieht über die Applikation EclerNet Manager. Nähere Information hierzu finden Sie im Handbuch der Applikation EclerNet Manager.

Die Signaleingangsanschlüsse sind vom Typ Schraubleiste mit drei Kontakten. Diese sind wie folgt zugewiesen:

Hot oder direktes Signal	>	Terminal +
Cold oder phasenverkehrtes Signal	>	Terminal -
Masse	>	Terminal ⊥

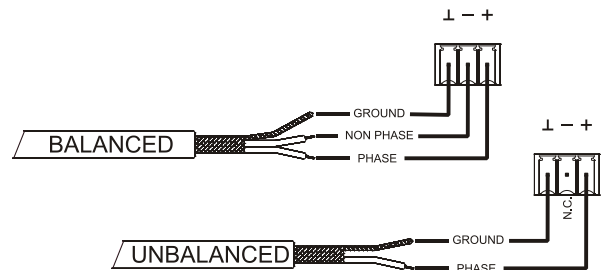
Für einen unsymmetrierten Anschluß muß Pin ⊥ nach Pin - kurzgeschlossen werden.

3.4. Audioausgangsanschlüsse

Die Geräte der MIMO SG-Reihe verfügen an ihrer Rückseite über 8 (MIMO88SG) bzw. 12 (MIMO1212SG) analoge Signalausgänge „OUT“ (5); diese sind symmetrisch und mit Linepegel.

Die Signalausgangsanschlüsse sind vom Typ Schraubleiste mit drei Kontakten. Diese sind wie folgt zugewiesen:

Hot oder direktes Signal	>	Terminal +
Cold oder Phasenverkehrtes Signal	>	Terminal -
Masse	>	Terminal ⊥



Für asymmetrische Anschlüsse ist der Pin - nicht anzuschliessen.

3.5. ETHERNET-Port für Programmierung und Steuerung

Ein RJ45-Stecker ermöglicht den Anschluss des Geräts an ein Ethernet-Netzwerk:

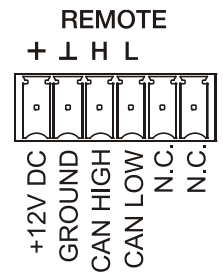
- Steuerung über die Anwendung EclerNet Manager. Nähere Information hierzu finden Sie im Handbuch der Applikation EclerNet Manager.
- Möglichkeit des Direktanschlusses (von Punkt zu Punkt) eines Rechners an eine MIMO SG.
- Anschluss an Geräte von Drittherstellern (Crestron, AMX, Vity, Medialon, usw., eingetragene Herstellermarken); Verwendetes Protokoll: Ecler TP-NET. Näheres hierzu finden Sie in der Anleitung zum TP-NET-Protokoll.
- Anschluss an WPmSCREEN-Geräte (Fernbedienung eines kompletten Netzwerks aus EclerNet-Geräten mit Hilfe maßgeschneiderter Grafikpanels).

3.6. REMOTE-Port für digitale Fernsteuerung

Der REMOTE-Port erlaubt den Anschluss digitaler Fernsteuerungsgeräte wie z.B. der Wandkonsole WPTOUCH oder der Konsole für *Paging*-Durchsagen MPAGE16. An den REMOTE-Port wird der digitale Steuerungsbus angeschlossen, in dem die Remote-Geräte per *Daisy Chain* verkettet sind, wobei das letzte der Geräte mit einem Abschlusswiderstand von 120Ω zwischen CAN HIGH und CAN LOW belastet ist.

Nähere Information über den Anschluss und die Steuerung finden Sie in den Unterlagen der jeweiligen Fernsteuergeräte (WPTOUCH, MPAGE16 usw.).

Nähere Informationen über die Programmierung einer MIMO SG für die Steuerung der am REMOTE-Port angeschlossenen Fernsteuergeräte finden Sie im Handbuch der Anwendung EclerNet Manager.



3.7. GPI-Ports für Fernsteuerung

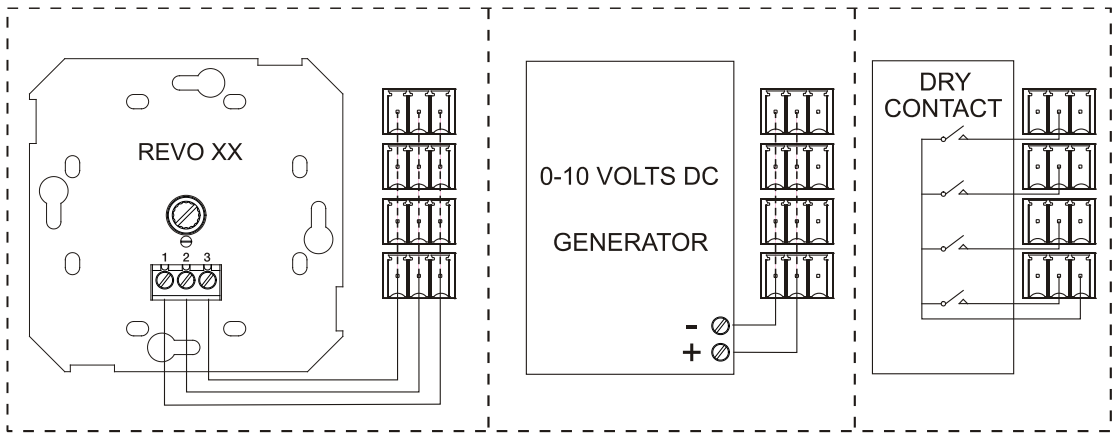
Eine MIMO SG verfügt an ihrer Rückseite über 8 (MIMO88SG) bzw. 12 (MIMO1212SG) GPI-Eingänge zur Kontrolle über Gleichstrom von 0 bis 10 VDC. Jeder dieser Eingänge kann an ein externes Gerät angeschlossen (Potentiometer, Kontaktschluss, variable Gleichspannung 0-10V usw.) und einer Funktion der MIMO SG zugewiesen werden, zum Beispiel:

- Einstellung der Lautstärke des Ein- oder Ausgangskanals oder des Kreuzungspunkts der Audiomatrix über ein physisches Potentiometer WPMVOL oder über die Fernbedienung WPVOL-IR aus der WPM-Reihe von Ecler
- Aktivierung / Deaktivierung eines MUTE oder SOLO mittels Taster oder Kontaktschluss
- Aufruf eines *preset* mittels Taster oder Kontaktschluss



Die GPI-Anschlüsse sind als schraubbare Klemmleiste mit drei Kontakten ausgeführt. Die Anschlüsse sind wie folgt zugewiesen:

- Positiv, +10 VDC > Anschluss +
- Variable Spannung, 0-10 VDC > Anschluss ↑
- Masse > Anschluss ↓



Einige Beispiele für Anschlussmöglichkeiten

Die Anschlusskabel können bis zu ca. 500 Meter lang sein, wenn man einen Querschnitt von 0,5 mm² verwendet.

Erkundigen Sie sich bei Ihrem ECLER-Händler oder auf www.ecler.com über die Wandgeräte zur Fernbedienung aus der WPM-Reihe und über alles weitere Zubehör für den Anschluss an GPI-Ports.

3.8. RS-232-Schnittstelle zur Fernsteuerung

Über den RS-232-Anschluss an der Rückseite kann ein externes Gerät mit einer MIMO SG-Einheit seriell Daten austauschen. Der Anschluss arbeitet mit der Syntax des TP-NET-Anschlusses, damit das externe Gerät einzelne Parameterwerte der MIMO SG-Einheit (über GET-Befehle) auslesen und / oder entsprechende Werte (SET-Befehle) verändern kann. Näheres hierzu finden Sie in der Anleitung zum TP-NET-Protokoll.

- Die serielle Verbindung muss folgende Vorgaben erfüllen:
- Baud rate: 57600 (fixed, no autonegotiation)
 - Data bits: 8
 - Parity: None
 - Stop bits: 1
 - Flow control: None

VERKABELUNG RS232 – DB9	
RS232	DB9
Tx	Pin 2 (RxD)
Rx	Pin 3 (TxD)
Gnd	Pin 5 (Signal Gnd)

3.9. Bedienelemente und LED-Anzeigen an der Vorderseite

Die Geräte der MIMO SG-Reihe verfügen an ihrer Vorderseite über die folgenden Elemente:

- LED-Anzeigen der Eingänge : diese zeigen an, ob an den Eingängen des Geräts ein Audiosignal anliegt sowie die Pegelintensität dieses Signals (grün, bernsteinfarben und rot - die Farben entsprechen, in dieser Reihenfolge, einer zunehmenden Pegelintensität).
- LED-Anzeigen der Ausgänge : diese zeigen an, ob an den Ausgängen des Geräts ein Audiosignal anliegt sowie die Pegelintensität dieses Signals (grün, bernsteinfarben und rot - die Farben entsprechen, in dieser Reihenfolge, einer zunehmenden Pegelintensität).
- Statusanzeigen LED (STATUS):
 - DATA: Anzeige leuchtet nicht: Es gibt keine Verbindung zum EclerNet Manager, auch wenn das Gerät ans ETHERNET angeschlossen ist. Anzeige leuchtet: an den EclerNet Manager oder über TP-NET-Protokoll an eine Anwendung Dritter angeschlossen. Anzeige blinkt: Datenverkehr mit dem EclerNet Manager oder mit sonstigen Anwendungen
 - POWER: leuchtet, wenn das Gerät eingeschaltet ist. Blinkt die Anzeige, so gibt es eine Störung im Gerät oder die Firmware ist nicht in Ordnung. Blinkt auch bei Update der Firmware.

DE

4. REINIGUNG

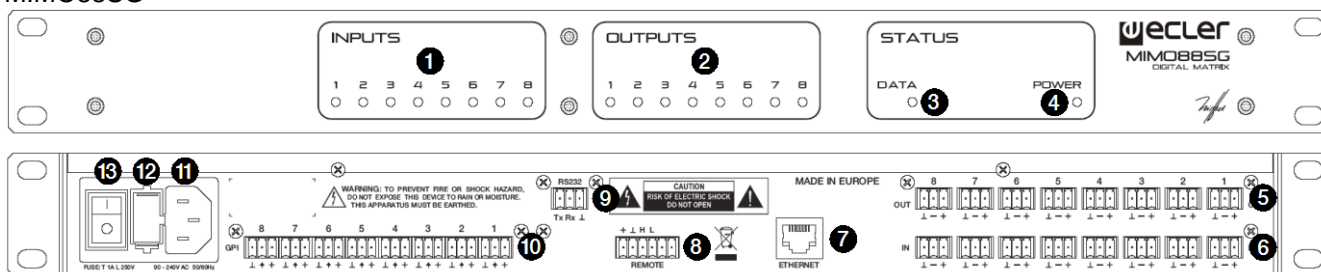
Die Frontplatte darf nicht mit lösungsmittelhaltigen oder scheuernden Substanzen gereinigt werden, da hierbei die Oberfläche beschädigt werden könnte. Verwenden Sie zur Reinigung der Frontplatte ein feuchtes Tuch und etwas milde Seifenlauge. Trocknen Sie danach die Oberfläche sorgfältig ab. Lassen Sie niemals Wasser in die Öffnungen der Frontplatte gelangen.

5. FUNKTIONSLISTE

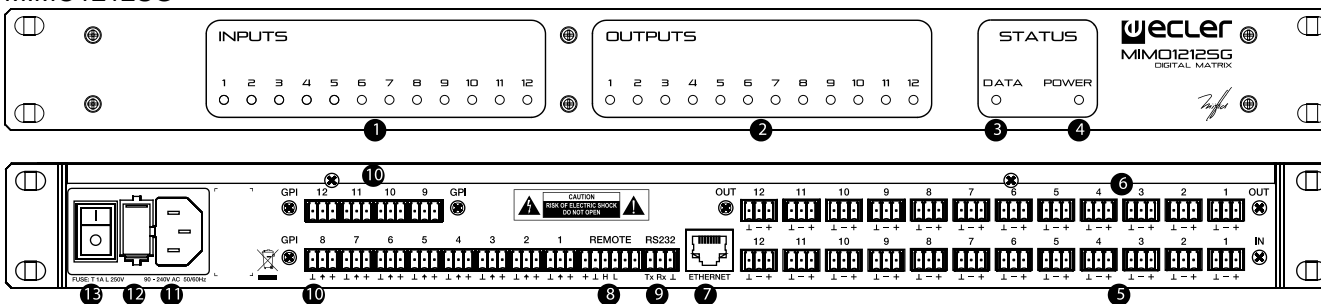
1. Leuchtanzeigen Eingangssignal, INPUTS
2. Leuchtanzeigen Ausgangssignal, OUTPUTS
3. Leuchtanzeige für Datenverkehr, DATA
4. Leuchtanzeige für Inbetriebsetzung, POWER
5. Schraubbare Klemmleiste Signalausgang, OUT
6. Schraubbare Klemmleiste Signaleingang, IN
7. RJ45 Buchse, ETHERNET
8. Schraubbare Anschlüsse für digitale Fernbedienung, REMOTE
9. Schraubbare Anschlüsse für Fernsteuerung nach dem Protokoll TP-NET, RS-232
10. Schraubbare Anschlüsse zur Steuerung mit Gleichstrom, GPI
11. Netzanschlußbuchse
12. Sicherungshalter
13. Netzanschluß

6. FUNKTIONSDIAGRAMME

MIMO88SG



MIMO1212SG



EN

7. TECHNICAL CHARACTERISTICS 7. CARACTERISTIQUES TECHNIQUES

ES

FR

DE

MIMO88SG

DSP

DSP
Sampling Rate
Latency IN to OUT

2x 32/64bit
48kHz
<2.9ms

Converters

Resolution
Dynamic Range

24bit AKM
AD:110dB, DA: 115dB

Analog

8 Input/Output
Analog Input headroom
Max. output level
Input sensitivity @ 0dBV out
Input Impedance
Phantom power
Frequency response (-3dB)
Flatness
THD+Noise @ 1kHz, 0dBV input (line)
THD+Noise @ 1kHz, -40dBV input (mic.)
Output Noise floor FFT (20Hz - 20kHz)
Interchannel crosstalk (20Hz - 20kHz)
Channel Leakage (20Hz - 20kHz)
CMRR 20Hz- 20kHz

Terminal block (Symmetrical)
+27dBV = +30dBu
+18dBV = +21dBu
From -50dBV to +10dBV in 0.5dB step
Balanced, >4k Ω
+42VDC, 5mA max. software switched
5Hz to 24kHz
better than ± 0.1 dB
<0.004%
<0.008%
better than 115dB
better than 90dB (100dB typ.)
better than 100dB (115dB typ.)
65dB typ.

Processing

Input Level (x8)

Range: from Off to 0 dB
Mute: Yes
Signal Polarity reverse: Yes
Metering: VU+clip pre & post fader

Output Level (x8)

Range: from Off to 0 dB
Mute: Yes
Solo: Yes
Signal Polarity reverse: Yes
Metering: VU+clip pre & post fader

Output Gain (x8)

Range: from 0 to +6 dB

Input Delay (x8)

from 0 to 1000 ms
Units: sec/ms/m/cm.

Output Delay (x8)

from 0 to 1000 ms
Units: sec/ms/m/cm.

Parametric Eq. Types

Bypass / On-Off all channels

(4 max per input)
(6 max per output)

Param Eq. Freq: 20Hz-20kHz;
Gain: -60/+12 dB
Q: 0.3 to 200
Low & High Shelf 6/12 dB/oct
Low & High Pass 6/12 dB/oct
All Pass 1/2 order

EN

ES

FR

DE

High & Low pass output Crossover filters (x8)

Bypass On-Off
Butterworth in 6/12/18/24 dB/oct
Bessel in 12/18/24 dB/oct
Linkwitz-Riley in 12/24 dB/oct

Input Noise Gate (x8)

Bypass On-Off
Threshold: from -80 dBV to +18 dBV
Depth: 0 dB to 80 dB
Attack time: from 0,1 ms. to 500 ms.
Hold time: from 10 ms. to 3000 ms.
Release time: from 10 ms. to 1000 ms.

Input Compressor / Limiter (x8)

Bypass On-Off
Threshold: from -36 dBV to +18 dBV
Ratio: 1:1 to inf:1 (limiter)
Knee: hard / soft
Attack time: from 0,1 ms. to 500 ms.
Release time: from 10 ms. to 1000 ms.
Make up gain: from 0 to +10 dB

Input Frequency Shifter (x4)
(Feedback Loop Reducer)

Available on IN1 to IN4. ON / OFF function

Output Limiter (x8)

Bypass On-Off
Threshold: from -36 dBV to +18 dBV
Attack time: from 0,1 ms. to 500 ms.
Release time: from 10 ms. to 1000 ms.

Built in Signal Generator

Sine: from 20 Hz to 20 kHz
Polarity: from 20 Hz to 20 kHz
White noise
Pink noise

Stereo Linking

Adjacent input / output channels
Linked processing
Matrix routing linked

Mix Matrix

Size: 8x8
Vol: Input, Output, Crosspoint
Mute: Set/Clear individual, row, column, all
Input /output Mono/stereo selector
Meter: Input /output VU and clip

- EN
- ES
- FR
- DE

Pager (x3)

Input: IN1 to IN8
 Priorities: 3 (1 max, 3 min)
 Depth: 0 dB to 80 dB
 Attack time: from 5 ms. to 2000 ms.
 Release time: from 50 ms. to 3000 ms.
 Chime Source: None, Melody 1, Melody 2
 Chime Volume: from -12 dB to 0 dB

Mechanical

Dimensions 482.6x44x266.5mm
 Weight 3.5kg

Supply

Mains 90-264VCA 47-63Hz
 Power consumption 45VA

Miscellaneous

Management Connectivity Ethernet Base-Tx 10/100Mb Auto X-Over CAT5 up to 100m.
 Remote Bus over twisted pairs; up to 1km (see specific specs.)
 GPI 8, from 0 to 10VDC or TTL level
 Aux. Power Supply for Remotes & GPI +12VDC, 1.2A. max. (short circuit protected)
 Time and date retention (battery) 100 hours approx. (ambient temperature dependant)
 RTC accuracy ±1 minute / month

SOFTWARE

EclerNet Manager From v3.03r4 version.

MIMO1212SG

DSP

DSP	2x 32/64bit
Sampling Rate	48kHz
Latency IN to OUT	<3.2ms

Converters

Resolution	24bit AKM
Dynamic Range	AD:110dB, DA: 115dB

Analog

12Input/Output	Terminal block (Symmetrical)
Analog Input headroom	+27dBV = +30dBu
Max. output level	+18dBV = +21dBu
Input sensitivity @ 0dBV out	From -50dBV to +10dBV in 0.5dB step
Input Impedance	Balanced, >4k Ω
Phantom power	+42VDC, 5mA max. software switched
Frequency response (-3dB)	5Hz to 24kHz
Flatness	better than ± 0.1 dB
THD+Noise @ 1kHz, 0dBV input (line)	<0.004%
THD+Noise @ 1kHz, -40dBV input (mic.)	<0.008%
Output Noise floor FFT (20Hz - 20kHz)	better than 115dB
Interchannel crosstalk (20Hz - 20kHz)	better than 90dB (100dB typ.)
Channel Leakage (20Hz - 20kHz)	better than 100dB (115dB typ.)
CMRR 20Hz- 20kHz	65dB typ.

Processing

Input Level (x12)	Range: from Off to 0 dB Mute: Yes Signal Polarity reverse: Yes Metering: VU+clip pre & post fader
Output Level (x12)	Range: from Off to 0 dB Mute: Yes Solo: Yes Signal Polarity reverse: Yes Metering: VU+clip pre & post fader
Output Gain (x12)	Range: from 0 to +6 dB
Input Delay (x12)	from 0 to 1000 ms Units: sec/ms/m/cm.
Output Delay (x12)	from 0 to 1000 ms Units: sec/ms/m/cm.

EN

ES

FR

DE

EN
ES
FR
DE

Parametric Eq. Types
(4 max per input)
(6 max per output)

Bypass / On-Off all channels
Param Eq. Freq: 20Hz-20kHz;
Gain: -60/+12 dB
Q: 0.3 to 200
Low & High Shelf 6/12 dB/oct
Low & High Pass 6/12 dB/oct
All Pass 1/2 order

High & Low pass output Crossover filters (x12)

Bypass On-Off
Butterworth in 6/12/18/24 dB/oct
Bessel in 12/18/24 dB/oct
Linkwitz-Riley in 12/24 dB/oct

Input Noise Gate (x12)

Bypass On-Off
Threshold: from -80 dBV to +18 dBV
Depth: 0 dB to 80 dB
Attack time: from 0,1 ms. to 500 ms.
Hold time: from 10 ms. to 3000 ms.
Release time: from 10 ms. to 1000 ms.

Input Compressor / Limiter (x12)

Bypass On-Off
Threshold: from -36 dBV to +18 dBV
Ratio: 1:1 to inf:1 (limiter)
Knee: hard / soft
Attack time: from 0,1 ms. to 500 ms.
Release time: from 10 ms. to 1000 ms.
Make up gain: from 0 to +10 dB

Input Frequency Shifter (x4)
(Feedback Loop Reducer)

Available on IN1 to IN4. ON / OFF function

Output Limiter (x12)

Bypass On-Off
Threshold: from -36 dBV to +18 dBV
Attack time: from 0,1 ms. to 500 ms.
Release time: from 10 ms. to 1000 ms.

Built in Signal Generator

Sine: from 20 Hz to 20 kHz
Polarity: from 20 Hz to 20 kHz
White noise
Pink noise

Stereo Linking

Adjacent input / output channels
Linked processing
Matrix routing linked

Mix Matrix

Size: 12x12
Vol: Input, Output, Crosspoint
Mute: Set/Clear individual, row, column, all
Input /output Mono/stereo selector
Meter: Input /output VU and clip

Pager (x3)

Input: IN1 to IN12
Priorities: 3 (1 max, 3 min)
Depth: 0 dB to 80 dB
Attack time: from 5 ms. to 2000 ms.
Release time: from 50 ms. to 3000 ms.
Chime Source: None, Melody 1, Melody 2
Chime Volume: from -12 dB to 0 dB

EN

ES

FR

DE

Mechanical

Dimensions
Weight

482.6x44x266.5mm
3.2kg

Supply

Mains
Power consumption

90-264VCA 47-63Hz
75VA

Miscellaneous

Management Connectivity
Remote Bus
GPI
Aux. Power Supply for Remotes & GPI
Time and date retention (battery)
RTC accuracy

Ethernet Base-Tx 10/100Mb Auto X-Over CAT5 up to 100m.
over twisted pairs; up to 1km (see specific specs.)
12, from 0 to 10VDC or TTL level
+12VDC, 0,6A. max. (short circuit protected)
100 hours aprox. (ambient temperature dependant)
±1 minute / month

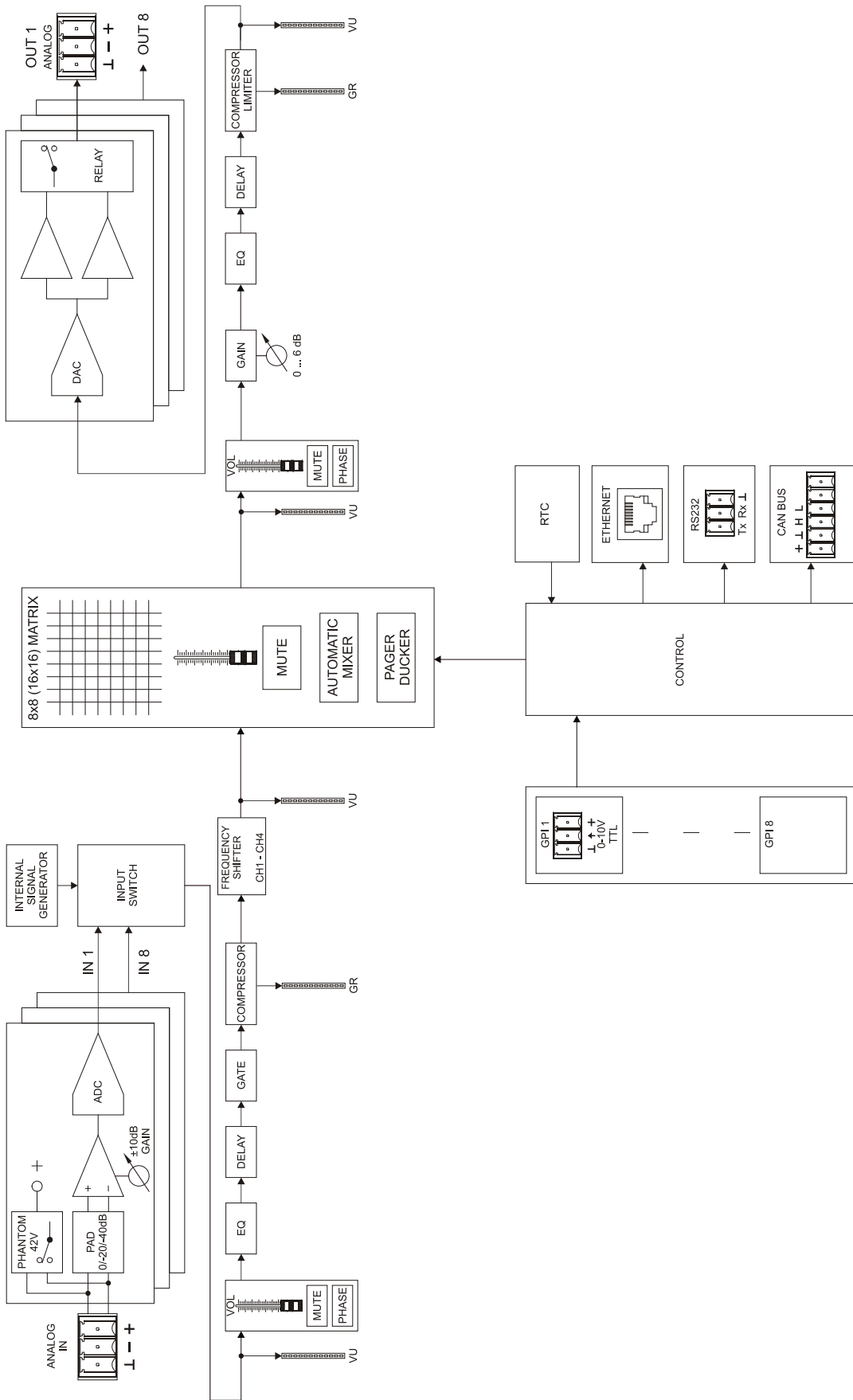
SOFTWARE

EclerNet Manager

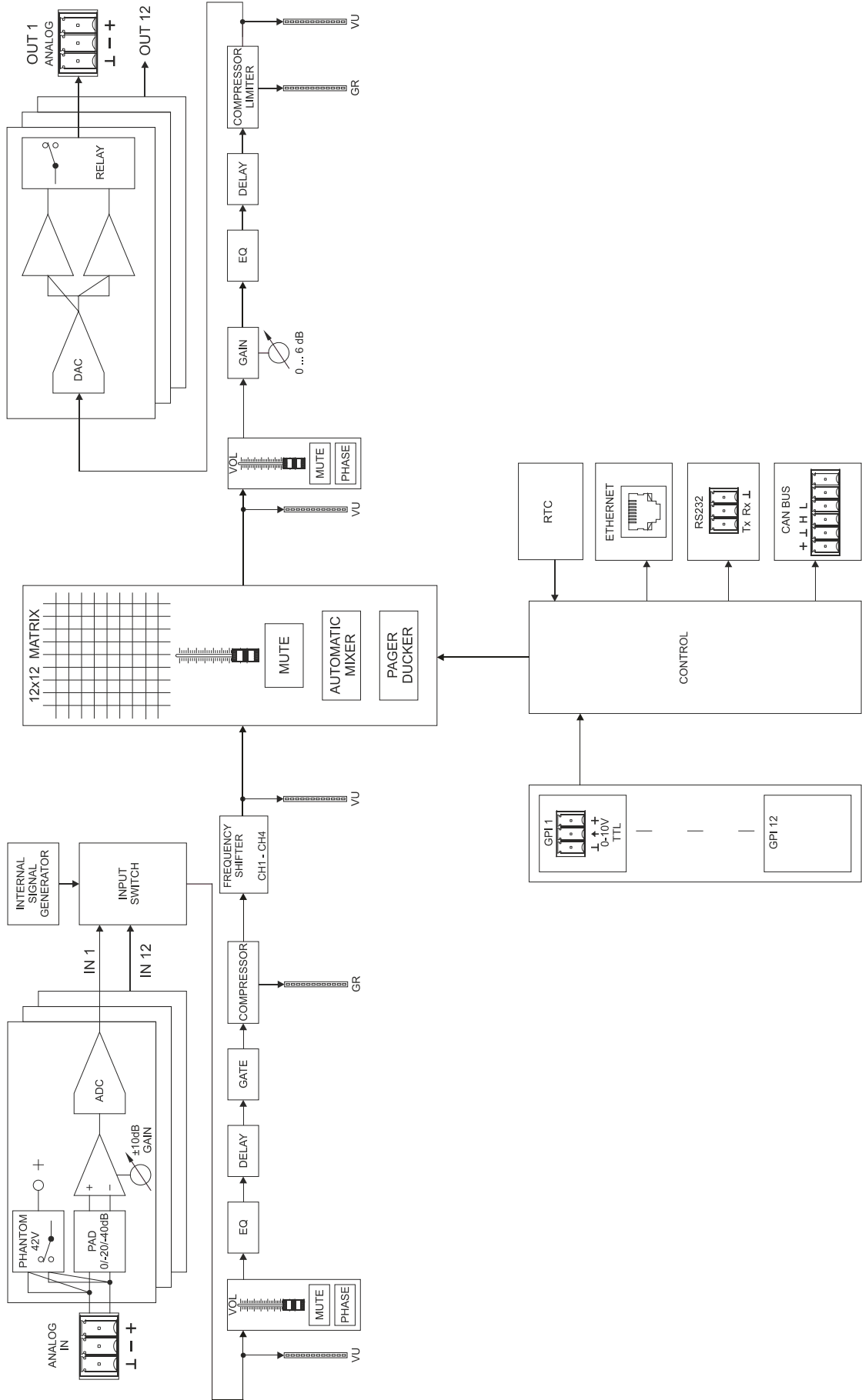
From v3.03r4 version.

8. BLOCK DIAGRAM
8. DIAGRAMME DE BLOCS

MIMO88SG



8. DIAGRAMA DE BLOQUES
8. BLOCKSCHATBILD





NEEC AUDIO BARCELONA S.L.
Motors 166-168, 08038 Barcelona, Spain
www.ecler.com - information@ecler.es