

MICPAT-2



The Apart MICPAT-2 is a sturdy table type paging microphone. It has a flexible gooseneck and a high quality unidirectional dynamic microphone capsule. With MICPAT-2 you can make paging calls to maximum two zones simultaneously (zone 1 individual, zone 2 individual or both zones). A clear LED indication for both the zones is integrated in the solid microphone base. The aluminium base is equipped with two push-to-talk switches.

Features and benefits

- Inconspicuous and elegant design
- Remarkable sound quality
- Flexible microphone stem
- Unidirectional dynamic microphone
- Speech-optimized frequency response
- 2 Push-to-talk buttons
- Balanced output allows long cables
- Easy connection
- No power supply or phantom power necessary
- Indoor use only

Safety precaution

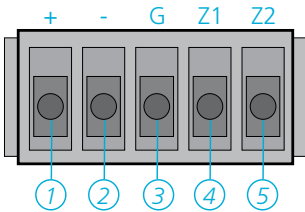
- Keep this manual for future reference.
- Take care of your connection wires; they should be free of damage. Damaged wires may result in poor sound quality or malfunctions and can cause damage to the installation.
- Only use accessories specified by the manufacturer
- No mains power shall be connected to the device, doing so will damage the unit.
- This device should only be serviced by qualified personnel. If not serviced by qualified personnel, warranty may be void.
- Use cables with clear color indication and maintain polarity throughout the whole system.
- Please check the packing for any kind of damage upon reception of the goods. If the packing is damaged, please contact your dealer before opening it.
- Please note that this unit must be protected from moisture and is meant for indoor use only.

SELECTIVE PAGING MICROPHONE

Connecting the unit

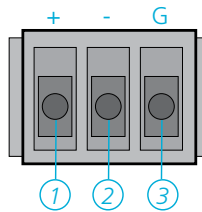
Consult the manual of your master unit before connecting the microphone. MICPAT-2 has a 6 wire connection and offers a balanced microphone level output and 2 separate paging contacts with led indication.

5 pole euroblock connector



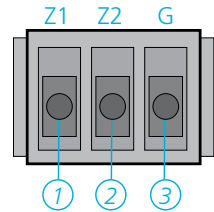
1. red
2. white
3. yellow / shield
4. black
5. blue

microphone

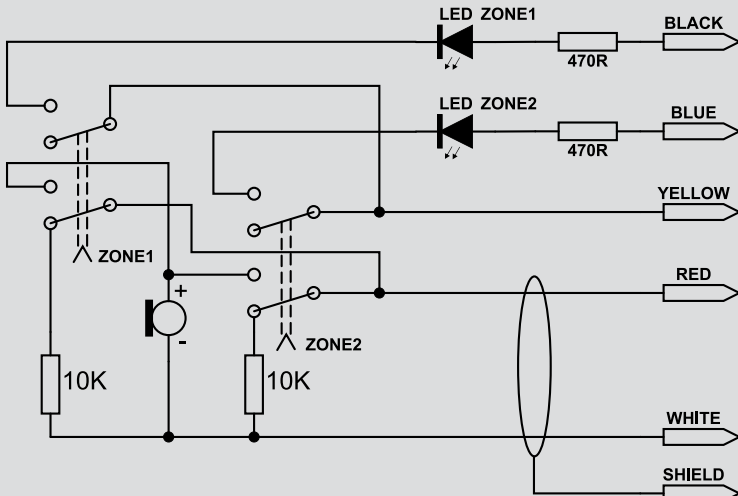


1. red
2. white
3. shield

paging switches



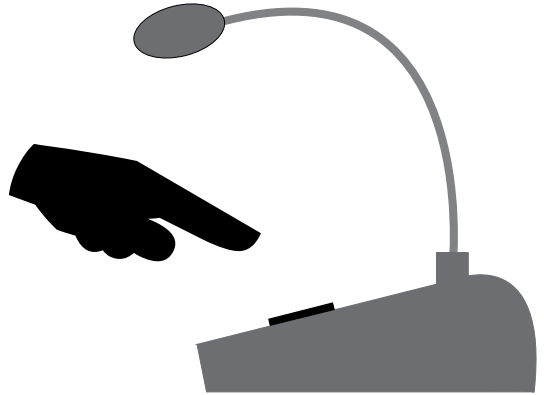
1. black
2. blue
3. yellow



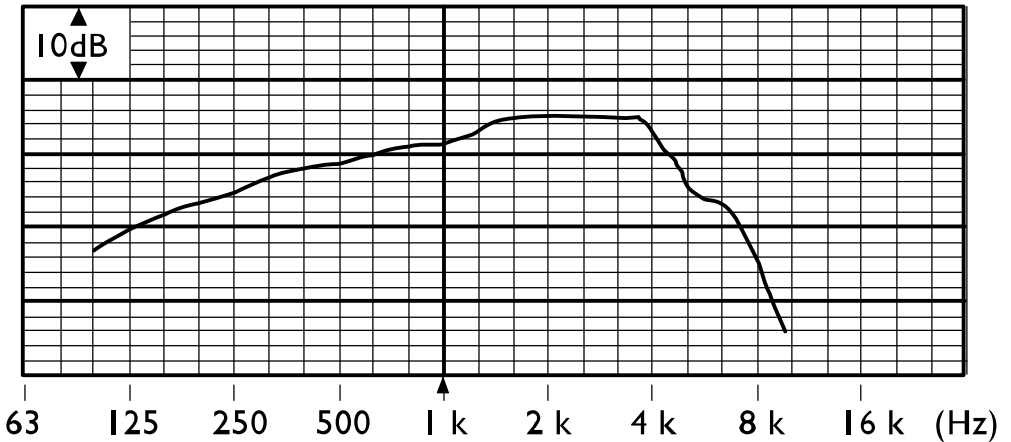
Operating instructions

Push talk button 1, 2 or both to talk and keep the switch(es) pushed in as long as you talk.

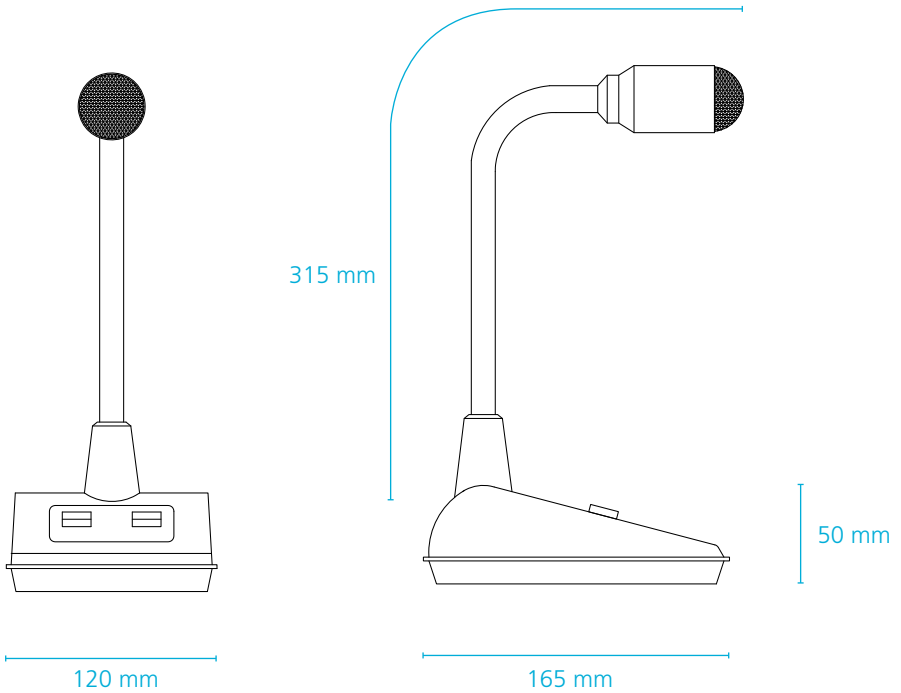
Talk into the microphone at a distance of 5 to 20 cm, depending on the loudness of your voice and the gain setting of the connected preamplifier or mixing amplifier.



Frequency response



SELECTIVE PAGING MICROPHONE



| | | | |
|------------------------|-----------------|--------------------|-------------------------------|
| polar pattern | uni-directional | cable length | 5 m |
| buttons | 2 push to-talk | cable type | type 2 core + 2 core screened |
| indicator | 1 per button | connector | open wire |
| zones | 2 | width | 120 mm |
| nominal output level | 5 mV | depth | 165 mm |
| frequency range | 80 Hz - 12 kHz | height | 50 mm |
| rated output impedance | 600 ohms | mic stem length | 315 mm |
| power supply | no | Net weight product | 850 g |

Warranty info

Warranty claims and claims for hidden defects can be considered only if the defects appear within the warranty period of 24 months and are notified within 8 days following their appearance per registered letter. The warranty is not valid in case of an incident, wear, for moving parts, power surges, inadequate packing or

shipping, improper use or storage and the disregard of recommendations of Apart Audio nv. The warranty only concerns the spare parts and not the involved labor, transportation or any other costs. The product must be returned in the original packaging with the proof of purchase by an Apart Audio authorized reseller.

The general terms and conditions can be found here:
http://www.apart-audio.com/conditions/General_Terms_and_Conditions_Apart_Audio.pdf