

MICPAT-D



The Apart MICPAT-D is an all call dynamic paging microphone. It has a flexible stem and a high quality unidirectional dynamic microphone capsule. The paging microphone is intended for making calls to all zones.

The microphone has a stable aluminium base, equipped with a toggle switch that allows Talk - Off - Continuous talk. MICPAT-D comes with 3m cable and a DIN5 connector.

Features and benefits

- Inconspicuous and elegant design
- Remarkable sound quality
- Flexible microphone stem
- Unidirectional dynamic microphone
- Speech-optimized frequency response
- Push-to-talk / continuous on button
- Balanced output allows long cables
- Easy connection using ` DIN5 connector
- No power supply or phantom power necessary
- Indoor use only

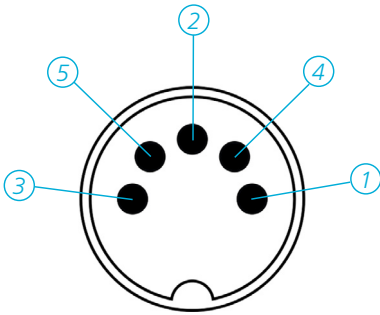
Safety precaution

- Keep this manual for future reference.
- Take care of your connection wires; they should be free of damage. Damaged wires may result in poor sound quality or malfunctions and can cause damage to the installation.
- Only use accessories specified by the manufacturer
- No mains power shall be connected to the device, doing so will damage the unit.
- This device should only be serviced by qualified personnel. If not serviced by qualified personnel, warranty may be void.
- Use cables with clear color indication and maintain polarity throughout the whole system.
- Please check the packing for any kind of damage upon reception of the goods. If the packing is damaged, please contact your dealer before opening it.
- Please note that this unit must be protected from moisture and is meant for indoor use only.

ALL-CALL PAGING MICROPHONE

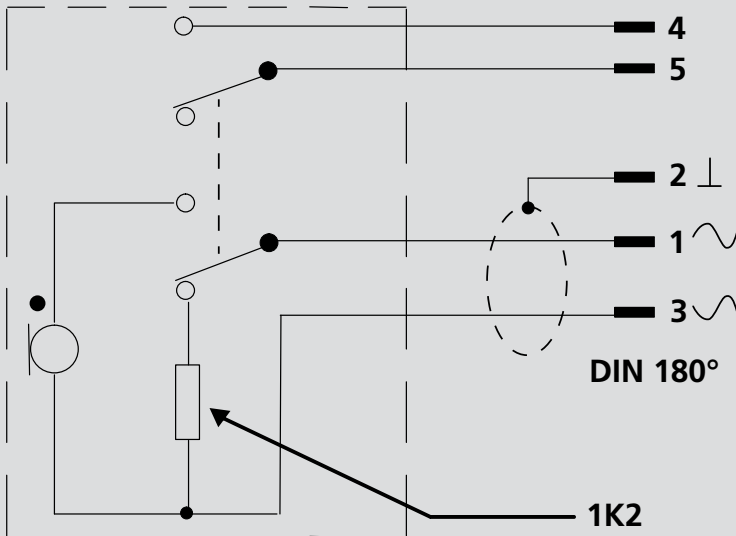
Connecting the unit

Consult the manual of your master unit before connecting the microphone. MICPAT-D has a 5 wire connection and offers a balanced microphone level output and a separate paging contact. In case your master unit is not equipped with a DIN5, please consult the connection diagram shown below.



DIN5-180° front view

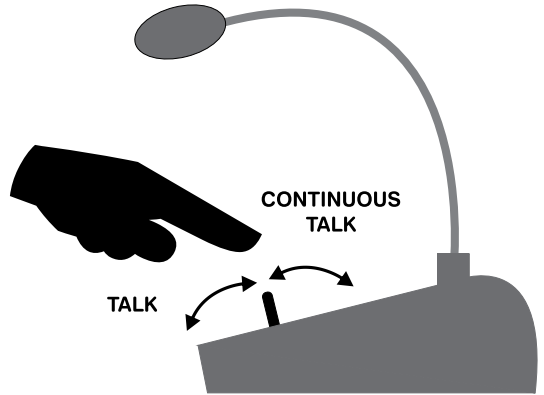
1. White: microphone balanced signal +
2. Shield: signal ground
3. Red: microphone balanced signal -
4. Black: paging switch common
5. Yellow: paging switch contact



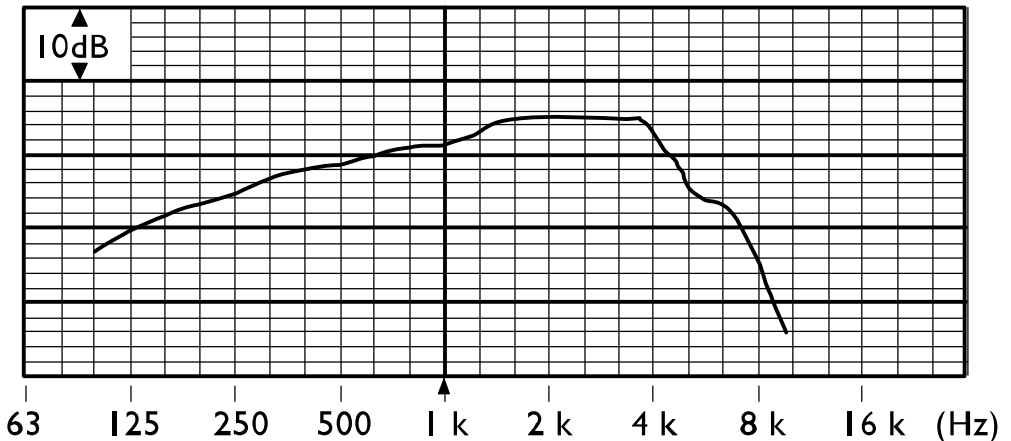
Operating instructions

Push the talk button forward for continuous operation. Pull the switch toward you for temporary operation. In the forward (continuous on) position, the switch will latch. In the "talk" position, the switch will jump back to the middle (off) position when it is released.

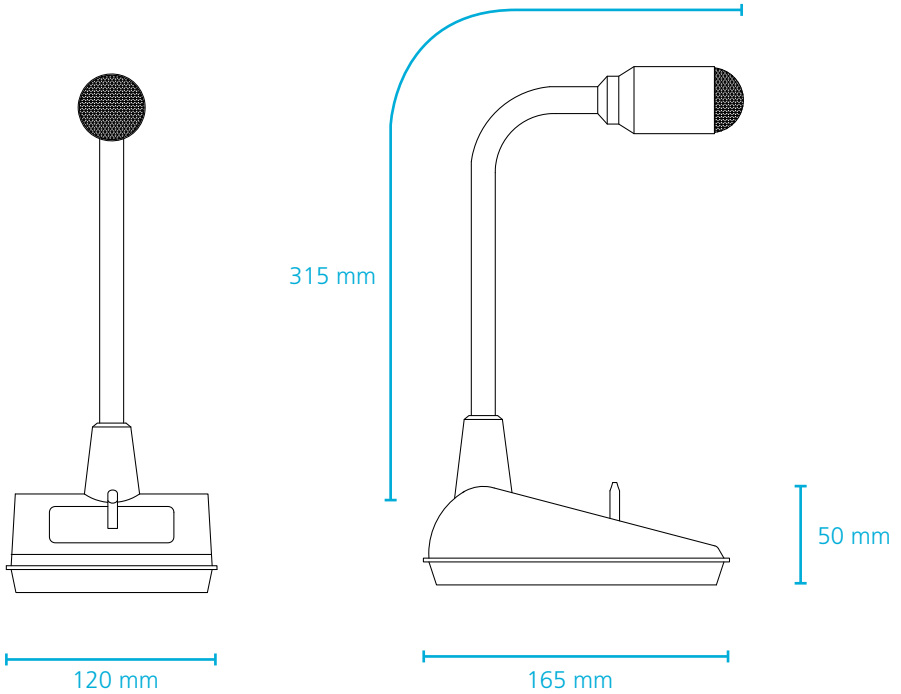
Talk into the microphone at a distance of 5 to 20 cm, depending on the loudness of your voice and the gain setting of the connected preamplifier or mixing amplifier.



Frequency response



ALL-CALL PAGING MICROPHONE



polar pattern	uni-directional	cable length	3 m
buttons	toggle switch: talk - off - continuous talk	cable type	type 2 core + 2 core screened
indicator	not available	connector	DIN5
nominal output level	5 mV	width	120 mm
frequency range	80 Hz - 12 kHz	depth	165 mm
rated output impedance	600 ohms	height	50 mm
power supply	no	mic stem length	315 mm
		Net weight product	811 g

Warranty info

Warranty claims and claims for hidden defects can be considered only if the defects appear within the warranty period of 24 months and are notified within 8 days following their appearance per registered letter. The warranty is not valid in case of an incident, wear, for moving parts, power surges, inadequate packing or

shipping, improper use or storage and the disregard of recommendations of Apart Audio nv. The warranty only concerns the spare parts and not the involved labor, transportation or any other costs. The product must be returned in the original packaging with the proof of purchase by an Apart Audio authorized reseller.

The general terms and conditions can be found here:

http://www.apart-audio.com/conditions/General_Terms_and_Conditions_Apart_Audio.pdf