

8138 8" (200 mm) Full-Range In-Ceiling Loudspeaker for Use with Pre-Install Backcans

Professional Series

Key Features:

- ▶ Stylish, contemporary appearance enhances any decór.
- ▶ Clear sound from an 8 inch dual-cone full-range driver.
- ▶ Very high sensitivity of 97 dB for maximum sound levels using minimum amplifier power.
- ▶ 6W transformer for use on 70V/100V distributed speaker lines
- ▶ Installs to in-ceiling backboxes having 4 mounting points on an 11-¼" (286 mm) diameter mounting circle.
- ▶ For use with MTC-81BB8 backcan and MTC-81TB8 tile bridge



Overview:

The 8138 is an 8" ceiling speaker designed for use with a pre-install in-ceiling backcan, resulting in high-fidelity performance at a cost-effective price point. The 8138 is ideal for a wide variety of commercial sound applications from restaurant and retail to professional offices and reception areas.

The built-in 6 Watt transformer allows use on 70V or 100V distributed speaker lines. High sensitivity of 97 dB delivers maximum sound levels using minimal amplifier power, allowing the use of smaller power amplifiers compared to when using lower sensitivity drivers.

The driver features a 25 mm (1 in) voicecoil with Kapton coil former for reliability. The treated cloth surround provides deeper bass response compared with typical paper-roll surrounds, for fuller sound quality.

The 8138 fits the MTC-81BB8 backcan and MTC-81TB8 tile bridge, or can be used with most in-ceiling backcan/tile bridge systems designed with four mounting points on a 286 mm (11¼ in) diameter mounting circle.

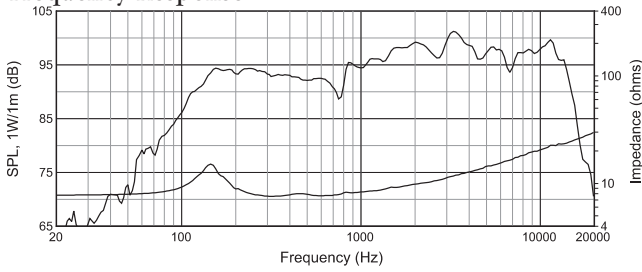
With its contemporary grill design, the 8138 provides a stylish upscale look that fits into many decórs. The 8138 brings style and performance to basic commercial sound systems.

Specifications:

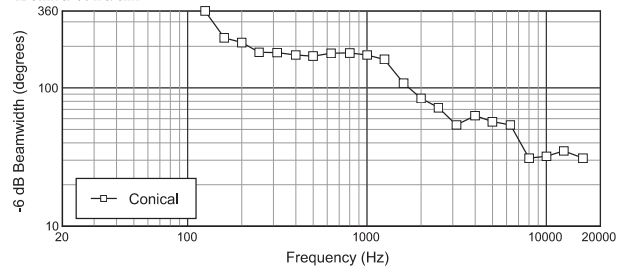
Component:	200 mm (8 in) Full-Range, Dual-cone
Frequency Range (-10 dB):	95 Hz – 18 kHz
Coverage (2 kHz):	90° conical
Sensitivity (2.83V@ 1m):	97 dB (1 kHz - 8 kHz)
Driver Power Capacity:	40W (160W peak), 2 hrs 25W (100W peak), 100 hrs
70V/100V Transformer Taps:	6W, 3W, 1.5W, (0.75W at 70V only)
Color Codes:	Black = Common Orange = 6W at 70V Brown = 3W at 70V; 6W at 100V Blue = 1.5W at 70V; 3W at 100V White = 0.75W at 70V; 1.5W at 100V
Termination:	Bare Wire
Magnet:	10 ounces (283 g)
Safety Agency:	Suitable for use in air handling spaces per UL1480, UL2043, NFPA90 & NFPA 70 when installed with UL listed backcan such as JBL MTC-81BB8, S7232/UL/cUL Listed, Signaling Speaker. Transformer UL registered per UL1876. In accordance with IEC60849/EN60849.
Installation:	Full assembly consists of 8138 speaker plus MTC-81BB8 backbox and MTC-81TB8 tile bridge. Four screw holes at industry standard 286 mm (11¼ in) mounting circle.
Dimensions (Diameter x Depth):	327 mm (12.9") diameter baffle x 84 mm (3.3") depth from back of baffle. Overall depth, 99 mm (3.9")
Mounting Points:	4 points on 286 mm (11.25 in) dia. mounting circle
Ceiling Cutout Dimension:	300 mm (11.75") with tile bridge and backbox. 228 mm (9.0") diameter as stand alone.
Net Weight:	1.4 kg (3.0 lb)
Included Accessories:	Integral grille, 4 pcs M4 x 40 mm tapping screws
Optional Accessories:	MTC-81BB8 backcan MTC-81TB8 tile bridge

▶ 8138 – 8" (200 mm) Full-Range In-Ceiling Loudspeaker

Frequency Response

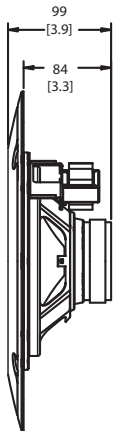
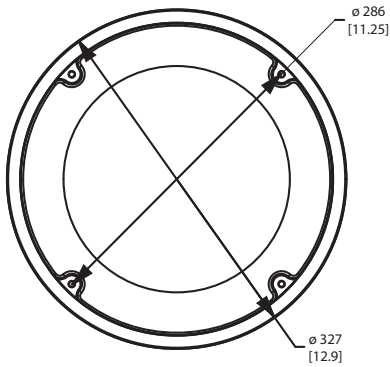


Bandwidth

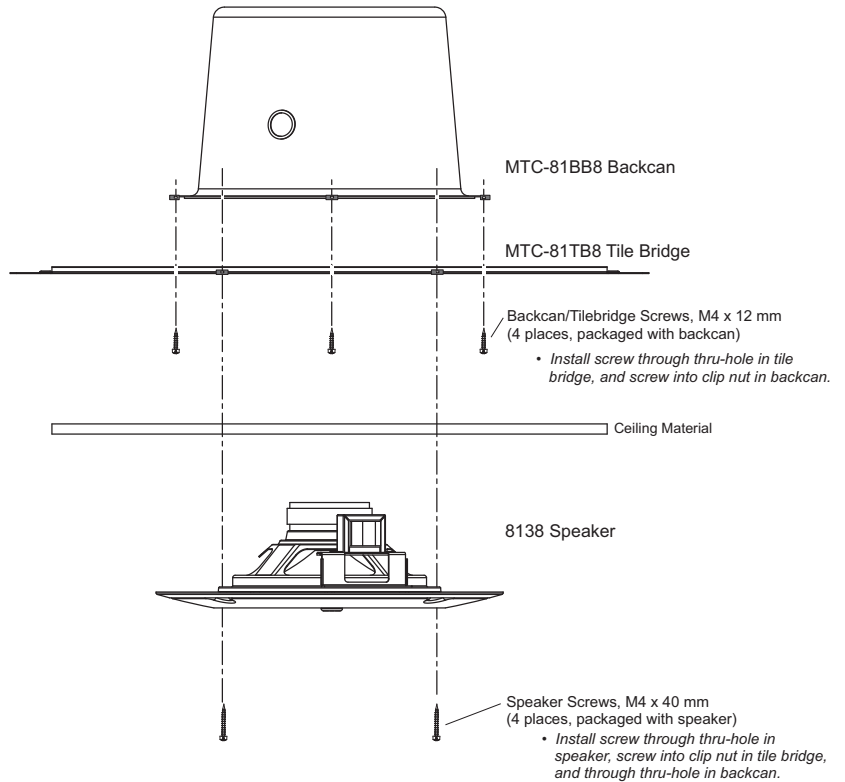


Dimensions

Dimensions in mm [in]



Assembly



JBL Professional
8500 Balboa Boulevard, P.O. Box 2200
Northridge, California 91329 U.S.A.

■ A Harman International Company
© Copyright 2010 JBL Professional
www.jblpro.com

SS8138
CRP
03/10