

EN USER MANUAL
ES MANUAL DE INSTRUCCIONES
FR NOTICE D'UTILISATION
DE BEDIENUNGSANLEITUNG

CA40

wecler

1. IMPORTANT NOTE	04
1.1. Compliance with international standards	04
2. INTRODUCTION	04
3. INSTALLATION	05
3.1. Location and assembly	05
3.2. Mains connection	05
3.3. Audio input connections	05
3.4. Audio output connections	06
3.5. Remote control options	06
4. OPERATION AND USAGE	07
4.1. Operation and default mode	07
4.2. Special active source selection mode and setting adjustments	08
4.3. AUTO STANDBY Function	09
4.4. LED indicators	09
4.5. Micro switches on the rear panel	10
4.6. Lock mode	11
4.7. Restore default settings and update firmware	11
5. CLEANING	11
6. LIST OF FUNCTIONS	12
7. DIAGRAM OF FUNCTIONS	13
8. TECHNICAL CHARACTERISTICS	50
9. BLOCK DIAGRAM	51
10. CONFIGURATION DIAGRAM	52

All numbers subject to variation due to production tolerances. ECLER S.A reserves the right to make changes or improvements in manufacturing or design which may affect specifications.



1. IMPORTANT NOTE

Congratulations! You have acquired the result of painstaking design and manufacturing. Thank you for having chosen our CA40 micro amplifier.

In order to get the optimum operation and efficiency from your product, it is VERY IMPORTANT - before you plug anything - to read this manual very carefully and take seriously into account all considerations specified within it.

We strongly recommend that its maintenance be carried out by our Authorised Technical Services.

1.1. Compliance with international standards

The CA40 micro amplifier complies with the following international standards:

- EN55103-1 *Electromagnetic Compatibility.*
Product family standard for audio, video, audio-visual and entertainment lighting control apparatus for professional use
Part 1: Emission
- EN55103-2 *Electromagnetic Compatibility.*
Product family standard for audio, video, audio-visual and entertainment lighting control apparatus for professional use
Part 2: Immunity
- EN60065 *Audio, video and similar electronic apparatus. Safety requirements*
Complying with the requirements of directives 73/23/EC and 2004/108/EC

2. INTRODUCTION

The CA40 is a very small stereo amplifier with numerous remotely controlled functions (RS-232 serial port, infrared receiver, 0-10 VDC remote control port), and is ideal for integrating audiovisual applications with other devices: educational classes, meeting rooms and multimedia presentations, business premises, etc.

Main characteristics:

- 2 x 20 W RMS @ 4 amplifier Ω
- Universal external power source
- AUTO STANDBY function: in the absence of an audio signal the unit automatically goes into STANDBY mode, minimising power consumption
- Lightweight, silent, high-performance amplifier (fan-free convection cooling)
- Suitable for stereo, parallel, and bridged mono operation
- 1 balanced microphone input, with high quality preamplifier, *Phantom* power supply, noise gate and "talkover" function or priority over the rest of the input
- 2 stereo lines (not balanced)
- 2-band independent tone control (Bass, Treble) for the microphone in-jack and 1&2 line-in connection.
- Auxiliary output for liaison with other amplifiers or external audio devices
- Local control by digital rotary knob ("encoder")
- Remote control by infrared remote control
- Remote control by WPmVOL or WPmVOL-SR (0-10 VDC) wall panel
- RS-232 control port
- MUTE port to silence the entire unit by closing external contact

3. INSTALLATION

3.1. Location and assembly

The CA40 is suitable for installation on a wall or under a surface (table, shelf, cupboard, etc.), thanks to its design and layout of its connectors, controls and LED indicator lights.

3.2. Mains connection

The amplifier is powered by alternating current through its external power source: 100-240 VAC and 50-60 Hz.

This apparatus must be earthed through its mains cable (earth resistance, $R_g = 30 \Omega$, or lower). The atmosphere should be as dry and dust free as possible. Do not expose the unit to rain or water splashes. Do not place liquid containers or incandescent objects like candles on top of the unit.



Should any work or connection / disconnection task be done, always disconnect the unit from the mains supply. There are no elements that can be manipulated by the user inside the amplifier.

To avoid buzzing, do not allow the power cable to intertwine with the shielded cables that transport the audio signal.

3.3. Audio input connections

The CA40 accepts two types of signals in its input channels:

- **Microphone (MIC):** has a balanced Euroblock or jack type connection, ready to accept a signal level between -20dBV y -50dBV, with adjustable sensitivity with the ADJ control

NOTE: the microphone input has a phantom power supply to power condenser microphones, activated by internal bridge (see section **10. CONFIGURATION DIAGRAM**).

- **Line signals (LINE 1, LINE 2):** they have unbalanced minijack or double RCA type stereo connections. They are prepared for input of between -6dBV and 0dBV, with input sensitivity that can be adjusted by internal port (see section **10. CONFIGURATION DIAGRAM**). You can connect signals from CD players, radio tuners, mixing consoles, media players, the audio outputs of PCs and tablets, etc. to these connections.

NOTE: Turntables CANNOT BE CONNECTED directly to this device because none of the inputs have an RIAA preamp.

The CA40 has the following operating modes according to the input sources selected as active:

- **LINE 1:** only LINE 1 input is sent to the mix bus to be amplified and delivered to the L and R OUT outputs
- **LINE 2:** only LINE 2 is sent to the mix bus to be amplified and delivered to the L and R OUT outputs
- **MIC:** only microphone (MIC) input is sent to the mix bus to be amplified and delivered to the OUT L and R outputs

- **LINE 1 + MIC:** the LINE 1 and MIC inputs are mixed, amplified and delivered to the L and R OUT outputs. If the TALKOVER function is active, the microphone signal attenuates to that of the line when it exceeds the activation threshold
- **LINE 2 + MIC:** the LINE 2 and MIC inputs are mixed, amplified and delivered to the L and R OUT outputs. If the TALKOVER function is active, the microphone signal attenuates to that of the line when it exceeds the activation threshold

Select one of the 5 work modes in special selection mode with the rotating knob on the front (see section 4.2. **Special selection mode of active sources and adjusting settings** for details of the full procedure).

3.4. Audio output connections

The amplified output (**OUT L** and **R**) have Euroblock connectors.

The connection cable that connects the CA40 connectors and the speakers should be good quality, with a suitable cross section and as short as possible.

The outputs can operate in stereo mode, mono (same signal L+R and both channels) or bridge (signal L+R amplified by both channels linked as one). These are selected using the micro switches **STEREO-BRIDGE-MONO** on the rear panel (see section 7. **DIAGRAM OF FUNCTIONS** for more information).

In bridge mode, the output signal connection is made through the positive terminals of each of the L and R connectors, the positive terminal corresponding to the L channel of bridge.

Remember that the minimum work impedance for the amplifiers in mono or stereo mode is 4Ω , and when working in bridge mode it is 8Ω . For correct operation of the CA40, under no circumstances must you work with impedances lower than those specified above.

Attention: in bridge mode only the terminals indicated on the serigraph on the equipment must be used for connecting the speakers.

Additionally, the CA40 has an unamplified auxiliary output (**AUX OUT**) which makes it possible to connect it to amplifiers or with other external devices. The auxiliary output **AUX OUT** has a line level signal (0dBV) which is an unamplified replica of the signal delivered to the terminals **OUTPUT L y R**.

3.5. Remote control options

- **REMOTE** port: the RJ-45 **REMOTE** type connector allows the connection of a WPmVOL or WPmVOL-SR (control 0-10 VDC) wall control panel to adjust the general output volume and/or to select one of the five active work source modes (LINE 1, LINE 2, MIC, LINE 1 + MIC, LINE 2 + MIC). The connection is made by a standard CAT5 cable between the WPmVOL or WPmVOL-SR wall panel and the REMOTE CA40 connector.

Because there is a CA40 WPm type control as well as other types of control (front knob, infrared control and serial port control) the most recent adjustments by any of these methods will prevail. For example, if an active source is selected and/or a volume adjustment is made using the WPmVOL-Sr wall panel connected to the **REMOTE** port, and then these settings are adjusted using the front control, the adjustment made with the frontal control will prevail. In this case, when the wall panel position is adjusted again, the CA40 will change to the values indicated, and so on and so forth.

- **MUTE** port: The **MUTE** connector makes it possible to connect a power free contact to totally silence the CA40 if an external device works on it (example: a emergencies and centralised evacuation warning system).
- **RS-232** port: the serial communication port **RS-232** allows remote management of the CA40 from a computer or external control system supporting this protocol. See the **CA-NET** protocol manual for detailed information on the connection and syntax of the commands supported. The connection has the following specifications:
 - Baud rate: 9600 (fixed, without auto negotiation)
 - Data bits: 8
 - Parity: None
 - Stop bits: 1
 - Flow control: None

WIRING RS-232 – DB9	
RS-232 CA40	DB9
Tx	Pin 2 (RxD)
Rx	Pin 3 (TxD)
Gnd	Pin 5 (Signal Gnd)

- Receiver **IR**: the built-in IR receiver gives general volume control of the CA40 and its **MUTE ON / OFF** function from the **REVO-IR** remote control included with the unit.

4. OPERATION AND USAGE

4.1. Start up and default mode

Start up the CA40 by connecting the equipment to an external power source to which the **DC 24V** connector of the CA40 has already been connected. The LED indicator **ON/STBY** immediately lights up on the front panel. We recommend you turn on all the devices in the following order: sound sources, mixer, equalisers, active filters and processors and, finally power amplifiers. Powering off should be done by following the exact reverse sequence. Following this order, the introduced noise due to turning on or switching off the devices will not affect those further on in the chain and will be inaudible.

The system defaults to volume adjustment mode. In this mode, the **VOL/MUTE** knob on the front panel acts on the general output volume of the CA40. This controller has a maximum of 64 steps between the unit's minimum and maximum volume. When turned, it will adjust the volume while the LED **LEVEL** light is flashing. When the controller is turned to the left or to the right, this flashes while the output volume increases or decreases. The light stops flashing when it reaches either end of the scale and it is no longer possible to increase or decrease the volume of the unit.

Quickly press the **VOL/MUTE** controller to activate/deactivate the mute function of the unit (MUTE ON/OFF). The **MUTE** LED lits when the mute function is activated.

If you adjust the volume using the infrared remote control, the LED **LEVEL** y **MUTE** visual indicators are exactly the same as those seen when adjusting these with the knobs on the front panel.

4.2. Special active source selection mode and setting adjustments

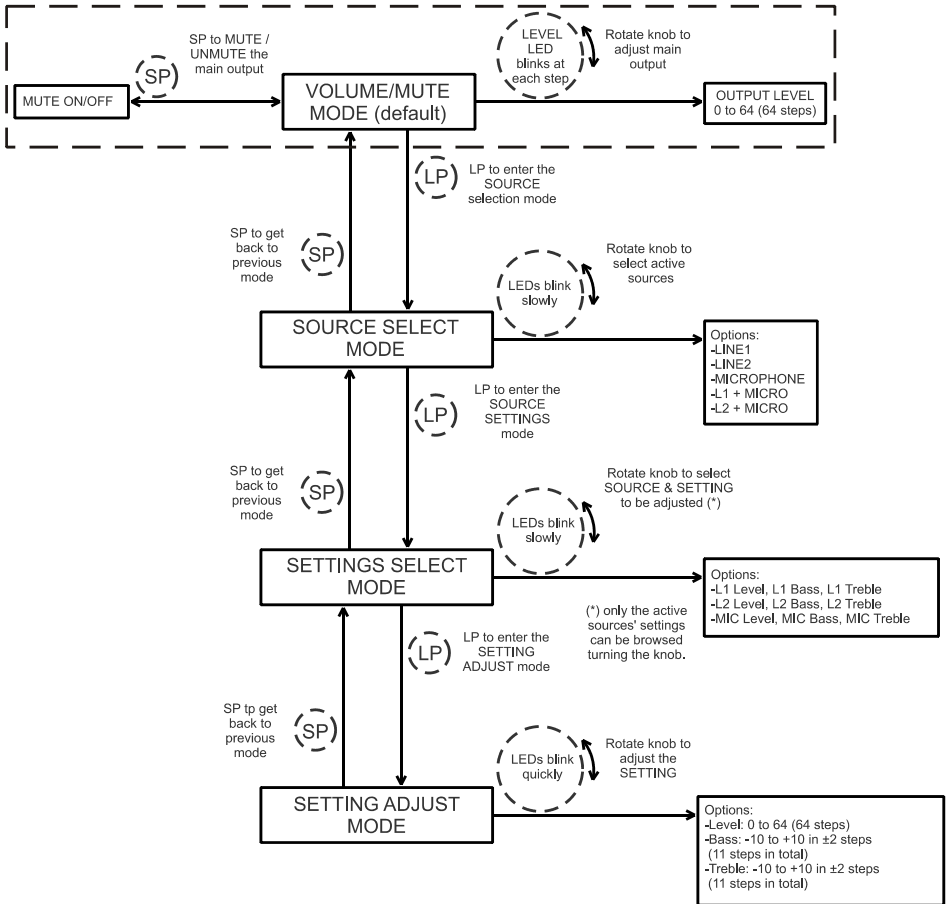
Use the knob on the front panel to access special modes for selecting active sources and adjusting levels and equalization (bass and treble). You can access these modes by holding in the knob for a certain time and then turning it. By adjusting the level of each source you can mix the signal from the microphone and another line, and the result of this mix will be controlled by the general output volume of the unit together, in other words, respecting the levels of each source.

The full procedure for accessing and operating in these special modes and the options available in each are set out in the following graph:

CA40 adjustments with front knob browser

SP: Short Press (press the VOL/MUTE knob briefly, less than 0,5 s)

LP: Long Press (press & hold the VOL/MUTE knob more than 2,5 s)



Notes:

1. If the device is in special mode for 10 seconds and the front knob is not touched, the equipment automatically reverts to VOL/MUTE mode.
2. In tone control mode, when you turn the knob in either direction it flashes fast while the gain of the affected tone increases. When either end of the scale is reached (-10 ó +10dB) or when it goes through the centre point (0dB) it flashes more slowly.

4.3. AUTO STANDBY Function

The **AUTO STANDBY** function (idle or low consumption mode) means you can install the CA40 in inaccessible places and leave the device connected to the mains power supply indefinitely because when no signal is detected, it automatically goes into standby mode, saving energy.

To enable **AUTO STANDBY** use the micro switch with the same name on the rear panel of the unit (see section 7. **DIAGRAM OF FUNCTIONS**). When activated, if there is no audio signal in any of the inputs (or the signal is very weak, below the activation threshold), the CA40 automatically goes into STANDBY mode, and the **ON/STBY** on the front panel of the device goes orange. When a valid audio signal is detected in any of the inputs, the CA40 leaves standby mode and starts operating normally again and the **ON/STBY** LED goes green.

When you enable **AUTO STANDBY** mode with the micro switch (position **ON**) one of two things happens:

- a) There is NO audio signal in the inputs. Result: the amplifier immediately goes into AUTO STANDBY mode
- b) There is an audio signal in the inputs. Result: the amplifier stays active

When the amplifier goes into **AUTO STANDBY** mode, all the LED indicators go out with the exception of **ON/STBY**. If the amplifier is in STANDBY mode and you turn the **VOL/MUTE** knob to adjust the volume or activate the MUTE function, the LED lights will come on for a short time then go out again. Remember that the first acting on the VOL/MUTE knob, this will only reset the LED indicators, and will not change any of the settings.

When the unit is in a special mode (source selection or setting adjustment) the LED indicators will not go out even if the amplifier is in **AUTO STANDBY** mode.

4.4. LED indicators

- **SP**: The signal presence or **SP** LED indicator shows that there is a signal in the amplifier input. This lights up when the input level reaches the established detection threshold.
- **CLIP**: The saturation or **CLIP** LED indicator comes on when the signal delivered to the speakers is close to the amplifier's clipping or saturation level. Input signals should be set to ensure the **CLIP** (saturation or cut off) indicators never stay on, but that they do so at most to the beat of the lowest sound frequencies. Otherwise the amplified signal will be distorted with low quality and low intelligibility.
- **MUTE**: This lights up when the **MUTE** function is active (silent mode)
- **ON/STBY**: the green light comes on when the equipment is in normal operating mode and it goes orange when it is in standby or low consumption mode (STANDBY).
- **LEVEL**: This flashes when you adjust the general level of the device. It also lights up during special adjustment modes, input levels (see section 4.2. **Special active source selection mode and setting adjustments**)

- **BASS:** This lights up during special adjustment modes bass frequencies (see section 4.2. **Special active source selection mode and setting adjustments**)
- **TREBLE:** This lights up during special adjustment modes, treble frequencies (see section 4.2. **Special active source selection mode and setting adjustments**)
- **LIN 1, LIN 2, MIC:** These light up during special modes, selection of active sources and adjustments (see section 4.2. **Special active source selection mode and setting adjustments**)

4.5. Micro switches on the rear panel

- **REMOTE:** Turn on (ON) the remote control from the WPmVOL or WPmVOL-SR wall panel connected to the REMOTE port.
- **NOISE GATE:** Turn on (ON) or turn off the noise gate function for the microphone input. When this function is active the microphone input is muted whilst there is no signal above the function activation threshold, so the equipment rejects background noise captured by the microphone connected to it.
- **TALKOVER:** (ON) or off according to the priority of the microphone over the line inputs. When the TALKOVER function is on, the microphone signal will attenuate to the line selected (LINE 1 or 2) when the activation threshold set is reached.
- **AUTO STANDBY:** Switch the AUTO STANDBY function on (ON) or off. When the function is on, the CA40 will automatically go into STANDBY or low consumption mode in the absence of audio signals in its inputs.
- **BRIDGE / MONO (y STEREO):** Select the work mode of the amplified outputs of the unit:
 - **BRIDGE y MONO OFF:** Work in stereo mode L / R
 - **BRIDGE ON (and MONO in ON or OFF, indistinctly):** Work in bridge mode, amplifying the L+R signal through both channels together as a single amplifier with joint power.
 - **BRIDGE OFF y MONO ON:** Work in MONO mode, both channels independent and each of them amplifying the L+R signal.

4.6. Lock mode

To switch the CA40 lock mode on or off hold in the VOL/MUTE control for 10 seconds from the VOL/MUTE mode. The LED SETTING indicators will flash 3 times to indicate that lock mode is now on. When in lock mode the device cannot be managed using the VOL/MUTE control (it will flash three times to show that it is in that mode when you turn the knob). This will protect the equipment from unwanted handling until it is restored to normal operation after holding the VOL/MUTE control in for a further 10 seconds (the LED SETTING indicators will flash twice to show that the lock mode is off).

Note: once lock mode is activated it will stay activated even when the equipment is turned off and on again. It will stay in lock mode until the VOL/MUTE control is held in for 10 seconds again.

4.7. Restore default settings and update firmware

If you would like to restore the CA40 to factory settings, follow this procedure:

1. Switch off the equipment then press and hold the knob in.
2. Switch the unit back on without releasing the knob. The MUTE LED indicator will flash.
3. Wait a few seconds and then switch the CA40 off again.
4. The next time you turn it on, the factory settings will be in the memory.

Note: for instructions on how to update the unit's firmware, see the product web page at www.ecler.com, where you will find the update software utility and instructions on how to proceed.

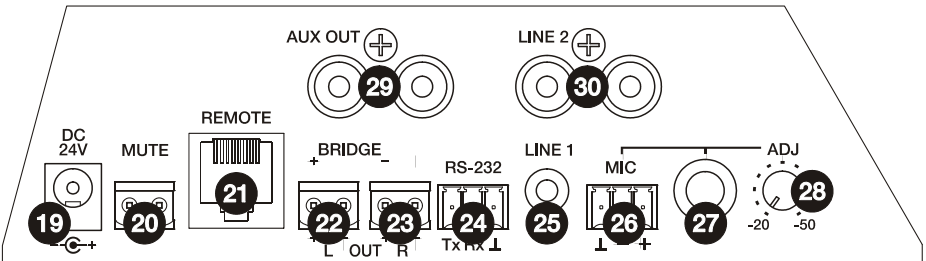
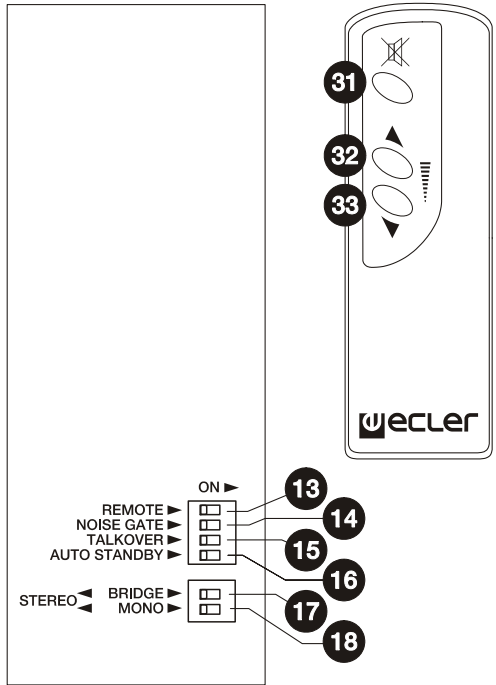
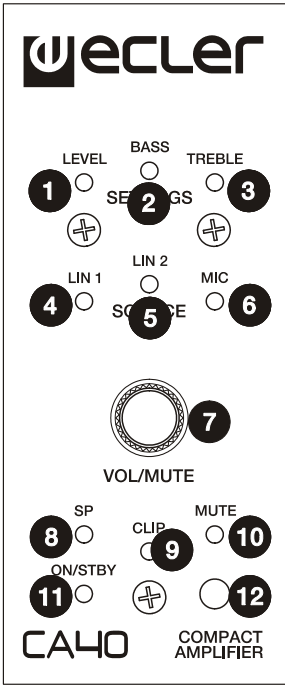
5. CLEANING

The CA40 must not be cleaned with solvents or abrasive substances which may damage the prints. Clean using a cloth moistened in water and a neutral liquid detergent, then dry with a clean cloth. Under no circumstances allow water to enter any of the orifices in the equipment.

6. LIST OF FUNCTIONS

1. LEVEL indicator light
2. BASS indicator light
3. TREBLE indicator light
4. LIN 1 indicator light
5. LIN 2 indicator light
6. MIC indicator light
7. VOL/MUTE knob
8. SP input signal presence indicator light
9. CLIP indicator light
10. MUTE indicator light
11. ON/STBY on or standby indicator light
12. REMOTE, remote control receiver
13. REMOTE micro switch
14. NOISE GATE micro switch
15. TALKOVER micro switch
16. AUTO STANDBY micro switch
17. BRIDGE / STEREO micro switch
18. MONO / STEREO micro switch
19. DC24V power connector
20. MUTE remote control
21. RJ-45, REMOTE connector
22. OUT L amplified output
23. OUT R amplified output
24. Remote control by protocol CA-NET, RS-232
25. Mini jack input line, LINE 1
26. Microphone input, MIC
27. Microphone jack, MIC
28. MIC input sensitivity setting
29. AUX OUT
30. RCA input line, LINE 2
31. Mute key
32. Volume up key
33. Volume down key

7. DIAGRAM OF FUNCTIONS



1. NOTA IMPORTANTE	16
1.1. Conformidad con normativas internacionales	16
2. INTRODUCCIÓN	16
3. INSTALACIÓN	17
3.1. Ubicación y montaje	17
3.2. Conexión a red eléctrica	17
3.3. Conexiones de audio de entrada	17
3.4. Conexiones de audio de salida	18
3.5. Opciones de control remoto	18
4. OPERACIÓN Y USO	19
4.1. Puesta en funcionamiento y modo por defecto	19
4.2. Modos especiales de selección de fuentes activas y ajuste de sus parámetros	20
4.3. Función AUTO STANDBY	21
4.4. Indicadores LED	21
4.5. Microinterruptores del panel posterior	22
4.6. Modo de bloqueo	23
4.7. Restaurar valores por defecto y actualización de firmware	23
5. LIMPIEZA	23
6. LISTA DE FUNCIONES	24
7. DIAGRAMA DE FUNCIONES	25
8. CARACTERÍSTICAS TÉCNICAS	50
9. DIAGRAMA DE BLOQUES	51
10. DIAGRAMA DE CONFIGURACIÓN	52

Todos los datos están sujetos a variación debida a tolerancias de producción. ECLER S.A. se reserva el derecho de realizar cambios o mejoras en la fabricación o diseño que pudieran afectar las especificaciones.



1. NOTA IMPORTANTE

¡Enhorabuena! Vd. posee el resultado de un cuidadoso diseño y una esmerada fabricación. Agradecemos su confianza por haber elegido nuestro micro amplificador CA40.

Para conseguir la máxima operatividad del aparato y su máximo rendimiento es MUY IMPORTANTE, antes de su conexión, leer detenidamente y tener muy presentes las consideraciones que se especifican en este manual.

Para garantizar el óptimo funcionamiento de este aparato, recomendamos que su mantenimiento sea llevado a cabo por nuestros Servicios Técnicos autorizados.

1.1. Conformidad con normativas internacionales

El micro amplificador CA40 está conforme a las siguientes normativas internacionales:

- EN55103-1 *Compatibilidad Electromagnética.*
Norma de familia de Productos para aparatos de uso profesional de sonido, vídeo, sistemas audiovisuales y para el control de iluminación para espectáculos
Parte 1: Emisión
- EN55103-2 *Compatibilidad Electromagnética.*
Norma de familia de Productos para aparatos de uso profesional de sonido, vídeo, sistemas audiovisuales y para el control de iluminación para espectáculos
Parte 2: Inmunidad
- EN60065 *Aparatos de audio, vídeo y aparatos análogos. Requisitos de seguridad*
Cumpliendo los requisitos de las directrices 73/23/CEE y 2004/108/CE

2. INTRODUCCIÓN

El CA40 es un amplificador estéreo de muy reducido tamaño y multitud de funciones de control remoto (puerto serie RS-232, receptor de infrarrojos, puerto de control remoto 0-10 VDC), siendo una opción ideal en aplicaciones de integración audiovisual con otros dispositivos: clases de enseñanza, salas de reuniones y presentaciones multimedia, locales comerciales, etc.

Características principales:

- Amplificador de 2 x 20 W RMS @ 4 Ω
- Fuente de alimentación externa universal
- Función AUTO STANDBY: en caso de ausencia de señal de audio la unidad pasa automáticamente al modo de reposo o STANDBY, quedando su consumo minimizado
- Amplificador de alto rendimiento ligero y silencioso (refrigeración por convección, sin ventilador)
- Admite funcionamiento estéreo, paralelo y puente
- 1 entrada de micrófono balanceada, con preamplificador de alta calidad, alimentación *Phantom*, puerta de ruido y función de "talkover" o prioridad sobre el resto de entradas
- 2 entradas de línea estéreo (no balanceadas)
- Control de tonos de 2 bandas (Bass, Treble) independiente para la entrada de micrófono y la entrada 1&2 de línea
- Salida auxiliar para enlace con otros amplificadores o dispositivos de audio externos
- Control local mediante control giratorio digital ("encoder")
- Control remoto mediante mando a distancia por infrarrojos
- Control remoto mediante panel mural WPmVOL o WPmVOL-SR (0-10 VDC)
- Puerto de control RS-232
- Puerto MUTE para silenciamiento total de la unidad mediante cierre de contacto externo

3. INSTALACIÓN

3.1. Ubicación y montaje

El CA40 admite instalación en pared o bien sobre o bajo una superficie (mesa, estantería, mueble, etc.), gracias a su diseño y a la disposición de sus conectores, controles e indicadores LED.

3.2. Conexión a red eléctrica

El amplificador se alimenta con corriente alterna mediante su fuente de alimentación externa: 100-240 VAC y 50-60 Hz.

La fuente de alimentación del amplificador debe conectarse a una toma de tierra en condiciones (resistencia de tierra, $R_g = 30 \Omega$, o menor). El ambiente de trabajo deberá ser seco y estar totalmente libre de polvo. No exponga el aparato a la caída de agua o salpicaduras. No ponga encima objetos con líquido ni fuentes de llama desnuda, como velas.

En caso de requerir alguna intervención y/o conexión-desconexión del amplificador debe desconectarse previamente la alimentación. En el interior del amplificador no existen elementos manipulables por el usuario.

Debe evitarse que el cable de red se entremezcle con los cables blindados que transportan la señal de audio, ya que ello podría ocasionar zumbidos.



3.3. Conexiones de audio de entrada

El CA40 admite dos tipos de señales en sus canales de entrada:

- **Micrófono (MIC):** dispone de conexión balanceada tipo Euroblock o jack, preparada para admitir un nivel de señal entre -20dBV y -50dBV, con sensibilidad ajustable mediante su control ADJ

NOTA: la entrada de micrófono dispone de alimentación Phantom para alimentar micrófonos de condensador, activable mediante puente interno (ver sección **10. DIAGRAMA DE CONFIGURACIÓN**).

- **Señales de línea (LINE 1, LINE 2):** disponen de conexión estéreo no balanceada tipo minijack o doble RCA. Están preparadas para admitir señales entre -6dBV y 0dBV, con sensibilidad ajustable mediante puente interno (ver sección **10. DIAGRAMA DE CONFIGURACIÓN**). Es posible conectar a ellas señales de reproductores de CD, sintonizadores de radio, consolas de mezcla, reproductores multimedia, salidas de audio de ordenadores y tablets, etc.

NOTA: NO PUEDEN CONECTARSE directamente a este aparato platos giradiscos ya que ninguna de las entradas dispone de preamplificador tipo RIAA.

El CA40 permite los siguientes modos de trabajo, en función de qué fuentes de entrada sean seleccionadas como activas:

- **LINE 1:** sólo la entrada LINE 1 es enviada al bus de mezcla para ser amplificada y entregada en las salidas OUT L y R
- **LINE 2:** sólo la entrada LINE 2 es enviada al bus de mezcla para ser amplificada y entregada en las salidas OUT L y R
- **MIC:** sólo la entrada de micrófono (MIC) es enviada al bus de mezcla para ser amplificada y entregada en las salidas OUT L y R

- **LINE 1 + MIC:** las entradas LINE 1 y MIC son mezcladas, amplificadas y entregadas en las salidas OUT L y R. Si la función TALKOVER se encuentra activa, la señal de micrófono atenuará a la de línea al superar el umbral de activación
- **LINE 2 + MIC:** las entradas LINE 2 y MIC son mezcladas, amplificadas y entregadas en las salidas OUT L y R. Si la función TALKOVER se encuentra activa, la señal de micrófono atenuará a la de línea al superar el umbral de activación

La selección de uno de los 5 modos de trabajo se realiza mediante el modo especial de selección del control giratorio frontal (ver sección **4.2. Modos de selección de fuentes activas y ajuste de sus parámetros** para conocer el procedimiento completo).

3.4. Conexiones de audio de salida

Las salidas amplificadas (**OUT L y R**) están provistas de conectores Euroblock.

El cable de conexión que une las salidas del CA40 y los altavoces deberá ser de buena calidad, de suficiente sección y lo más corto posible.

Las salidas pueden funcionar en modo estéreo, mono (misma señal L+R en ambos canales) o puente (señal L+R amplificada por ambos canales enlazados como uno solo). La selección de uno u otro modo se realiza mediante los microinterruptores **STEREO-BRIDGE-MONO** del panel posterior (ver sección **7. DIAGRAMA DE FUNCIONES** para más información).

En el modo puente, la conexión de señal de salida se realizará a través de los terminales positivos de cada uno de los conectores L y R, correspondiendo el terminal positivo del puente al canal L.

Recuerde que la impedancia mínima de trabajo para los amplificadores en los modos mono o estéreo es de 4Ω, y trabajando en modo puente de 8Ω. Para un buen funcionamiento del CA40 bajo ningún concepto se debe trabajar con impedancias inferiores a las especificadas anteriormente.

Atención: en modo puente sólo deben utilizarse los terminales indicados en la serigrafía del equipo para la conexión de los altavoces.

Adicionalmente, el CA40 dispone de una salida auxiliar (**AUX OUT**) no amplificada, que permite enlazarlo con amplificadores u otros dispositivos externos. La salida auxiliar **AUX OUT** proporciona una señal de nivel de línea (0dBV) que es una réplica sin amplificar de la señal entregada en los terminales **OUTPUT L y R**.

3.5. Opciones de control remoto

- Puerto **REMOTE:** el conector tipo RJ-45 **REMOTE** permite la conexión de un panel de control mural tipo WPmVOL o WPmVOL-SR (control 0-10 VDC) para el ajuste del volumen general de salida y/o la selección de uno de los 5 modos de fuentes activas de trabajo (LINE 1, LINE 2, MIC, LINE 1 + MIC, LINE 2 + MIC). El conexionado se realiza mediante un cable CAT5 estándar entre el panel mural WPmVOL o WPmVOL-SR y el conector REMOTE del CA40.

Al coexistir en un CA40 un control tipo WPm con otros tipos de control (control giratorio frontal, mando de infrarrojos o control vía puerto serie) prevalecerán siempre los últimos ajustes realizados por uno u otro método. Por ejemplo, si se realiza una selección de fuentes activas y/o un ajuste de volumen mediante un panel mural WPmVOL-SR conectado al puerto **REMOTE**, y a continuación se modifican dichos parámetros mediante el control frontal, prevalecerá el ajuste realizado mediante dicho control frontal. En este caso, cuando se vuelva a modificar la posición del panel mural, el CA40 retomará los valores que éste le indique, y así sucesivamente.

- Puerto **MUTE**: el conector **MUTE** permite la conexión de un cierre de contacto externo libre de potencial para silenciar totalmente el CA40 en caso de que un dispositivo externo actúe sobre él (ejemplo: un sistema de avisos para emergencias y evacuación centralizado).
- Puerto **RS-232**: el puerto de comunicación serie **RS-232** permite la gestión remota del CA40 desde un ordenador o sistema de control externo que soporte dicho protocolo. Vea el manual del protocolo **CA-NET** para obtener información completa acerca de los detalles de la conexión y la sintaxis de los comandos soportados. Las especificaciones de la conexión serie son las siguientes:
 - Baud rate: 9600 (fijo, sin autonegociación)
 - Data bits: 8
 - Parity: None
 - Stop bits: 1
 - Flow control: None

CABLEADO RS-232 – DB9	
RS-232 CA40	DB9
Tx	Pin 2 (RxD)
Rx	Pin 3 (TxD)
Gnd	Pin 5 (Signal Gnd)

- Receptor **IR**: el receptor IR integrado permite el control del volumen general del CA40 y de su función de **MUTE ON / OFF** desde el mando a distancia **REVO-IR** incluido con la unidad.

4. OPERACIÓN Y USO

4.1. Puesta en funcionamiento y modo por defecto

El encendido del CA40 se realizará mediante la conexión a la red de la fuente de alimentación externa previamente conectada al conector **DC 24V** del CA40. Inmediatamente se iluminará el indicador LED **ON/STBY** del panel frontal. Es muy recomendable poner en marcha todos los aparatos siguiendo la secuencia siguiente: fuentes de sonido, unidad de mezclas, ecualizadores, filtros activos y procesadores y, finalmente, amplificadores de potencia. El apagado de los aparatos debe realizarse en la secuencia inversa. Siguiendo este orden los transitorios producidos por el encendido o apagado de los aparatos no afectarán a los siguientes en la cadena, permaneciendo inaudibles.

Por defecto, la unidad se encontrará en el modo de ajuste de volumen. En este modo el control giratorio **VOL/MUTE** del panel frontal actúa sobre el volumen general de salida del CA40. Este control dispone de un máximo de 64 pasos entre el volumen mínimo y el máximo de la unidad. Al girarlo se modificará dicho volumen mientras parpadea el indicador LED **LEVEL**. Al girar el control en uno u otro sentido, éste parpadea mientras se aumenta o reduce el volumen de salida, quedando iluminado fijo cuando se llega a uno de ambos extremos y no es posible aumentar o reducir más el volumen de la unidad.

Si se pulsa brevemente el control **VOL/MUTE** se actúa sobre la activación / desactivación de la función de enmudecimiento de la unidad (**MUTE ON/OFF**), iluminándose el indicador LED **MUTE** cuando se halle activo el enmudecimiento.

Si se realiza un ajuste de volumen mediante el mando a distancia por infrarrojos las indicaciones visuales mediante los LEDs **LEVEL** y **MUTE** son exactamente las mismas que para el ajuste mediante el control giratorio del panel frontal.

4.2. Modos especiales de selección de fuentes activas y ajuste de sus parámetros

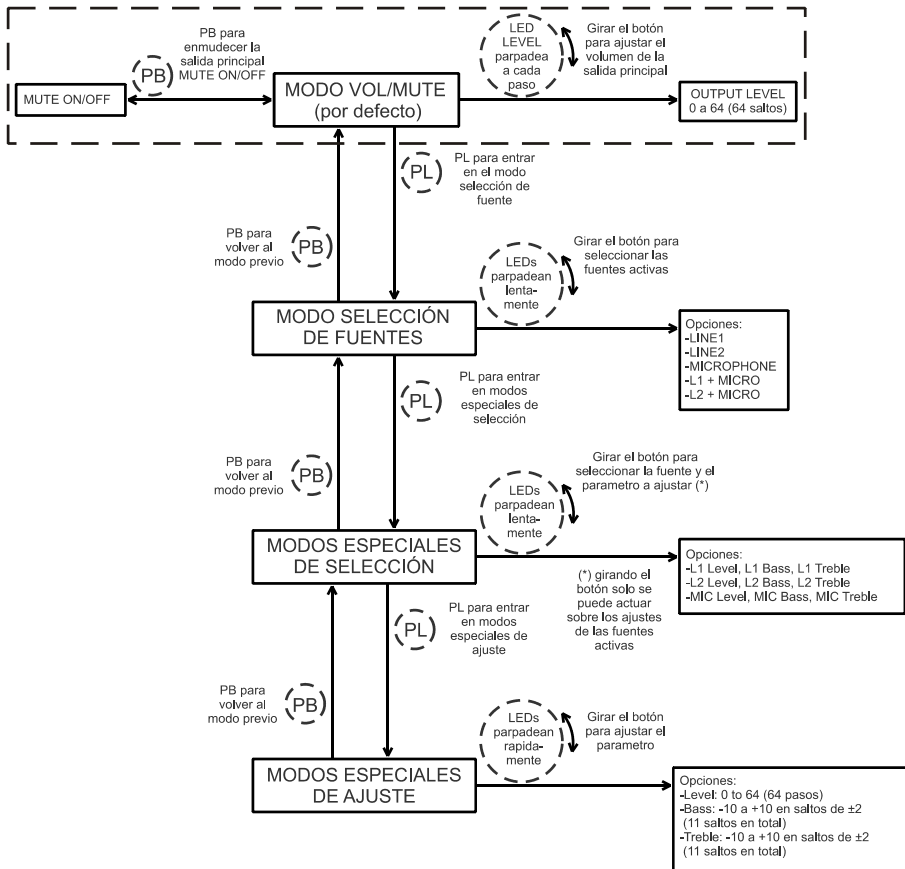
Mediante el control giratorio frontal es posible entrar en modos especiales para la selección de las fuentes activas y el ajuste de sus parámetros de nivel y ecualización (graves y agudos). La entrada y navegación en dichos modos se realiza mediante pulsaciones de determinada duración del control giratorio y su posterior giro. El ajuste de nivel de cada fuente permite realizar una mezcla entre una señal de micrófono y otra de línea y que el resultado de dicha mezcla sea afectado por el volumen general de salida la unidad de manera conjunta, es decir, respetando los niveles relativos de cada fuente.

El procedimiento completo para entrar y operar en estos modos especiales, así como las opciones disponibles en cada uno de ellos, se encuentran reflejados en el gráfico siguiente:

Ajustes con el control giratorio frontal para el CA40

PB: Pulsación Breve (presionar el botón VOL/MUTE brevemente, menos de 0,5 s)

PL: Pulsación Larga (presionar y mantener el botón VOL/MUTE durante más de 2,5 s)



Notas:

1. Si, estando en cualquier modo especial, transcurren 10 segundos sin actuar sobre el control giratorio frontal, se retornará automáticamente al modo por defecto de ajuste de VOL/MUTE.
2. En el modo de ajuste de tonos, al girar el control en uno u otro sentido, éste parpadea rápidamente mientras se aumenta la ganancia del tono afectado, parpadeando más lentamente al llegar a uno de los extremos (-10 ó +10dB) o bien al pasar por el punto central (0dB).

4.3. Función AUTO STANDBY

La funcionalidad **AUTO STANDBY** (modo de reposo o bajo consumo) proporciona la posibilidad de instalar el CA40 en lugares poco accesibles, dado que permite dejar el aparato conectado a la red eléctrica de forma indefinida, activándose o desactivándose este modo de forma automática según haya presencia de señal de entrada o no.

Para habilitar el modo **AUTO STANDBY** es preciso actuar sobre el microinterruptor del mismo nombre ubicado en el panel posterior de la unidad (ver sección **7. DIAGRAMA DE FUNCIONES**). Cuando se encuentre habilitado y no exista señal de audio durante 2 minutos o más en cualquiera de las entradas del aparato (o sea muy débil, inferior al umbral de activación), el CA40 pasará automáticamente a modo STANDBY, encendiéndose en naranja el indicador LED **ON/STBY** ubicado en el panel frontal del dispositivo. Al reaparecer una señal de audio válida en cualquiera de las entradas, el CA40 despertará del modo de reposo y volverá al régimen normal de funcionamiento, retornando el indicador LED **ON/STBY** a su condición encendido en color verde.

Al habilitar el modo **AUTO STANDBY** con el microinterruptor (posición **ON**) puede ocurrir uno de los siguientes 2 supuestos:

- a) **NO** hay señal de audio en las entradas. Resultado: el amplificador entra en **AUTO STANDBY** inmediatamente
- b) **SÍ** hay señal de audio en las entradas. Resultado: el amplificador continúa activo

Cuando el amplificador entra en modo **AUTO STANDBY** se apagan todos los indicadores LED, excepto el de **ON/STBY**. Si, estando en modo STANDBY, se actúa sobre el control giratorio **VOL/MUTE** para cambiar de volumen o activar la función MUTE, se restablecen los indicadores LED durante un tiempo corto, para luego volverse a apagar. Hay que tener en cuenta que el primer movimiento del control giratorio VOL/MUTE únicamente restablecerá los indicadores LED, no actuando sobre ningún parámetro hasta los siguientes movimientos.

Cuando la unidad se encuentra en alguno de los modos especiales (selección de fuentes, selección de parámetros o ajuste de parámetros) los indicadores LED no se apagan aunque el amplificador entre en el modo **AUTO STANDBY**.

4.4. Indicadores LED

- **SP**: El indicador LED de presencia de señal o **SP** advierte de la presencia de señal en la entrada del amplificador. Se enciende cuando el nivel en la entrada supera el umbral de detección establecido.
- **CLIP**: El indicador LED de saturación o **CLIP** se ilumina cuando la señal entregada a los altavoces se halla cercana al nivel de recorte o saturación del amplificador. Deben ajustarse los niveles de señal entrante de manera que nunca queden permanentemente encendidos los indicadores **CLIP** (saturación o recorte), sino que lo hagan como máximo al ritmo de las frecuencias más graves

del pasaje sonoro. De lo contrario la señal amplificada presentaría altos niveles de distorsión y una baja calidad acústica e inteligibilidad.

- **MUTE:** se ilumina cuando la función **MUTE** se encuentra activa (equipo silenciado)
- **ON/STBY:** se ilumina en verde cuando el equipo se encuentra en su régimen normal de funcionamiento y en naranja cuando se encuentra en el modo de reposo o bajo consumo (STANDBY).
- **LEVEL:** parpadea al ajustar el nivel general del equipo. También se ilumina durante los modos especiales de ajuste, nivel de entradas (ver sección **4.2. Modos de selección de fuentes activas y ajuste de sus parámetros**)
- **BASS:** se ilumina durante los modos especiales de ajuste, frecuencias graves (ver sección **4.2. Modos de selección de fuentes activas y ajuste de sus parámetros**)
- **TREBLE:** se ilumina durante los modos especiales de ajuste, frecuencias agudas (ver sección **4.2. Modos de selección de fuentes activas y ajuste de sus parámetros**)
- **LIN 1, LIN 2, MIC:** se iluminan durante los modos especiales, selección de fuentes activas y ajustes (ver sección **4.2. Modos de selección de fuentes activas y ajuste de sus parámetros**)

4.5. Microinterruptores del panel posterior

- **REMOTE:** habilita (ON) el control remoto desde un panel mural tipo WPmVOL o WPmVOL-SR conectado al puerto REMOTE.
- **NOISE GATE:** activa (ON) o desactiva la función de puerta de ruido para la entrada de micrófono. Cuando dicha función se encuentra activada la entrada de micro se encuentra silenciada mientras no exista una señal superior al umbral de activación de la función, rechazando de esta forma el ruido de fondo captado por el micrófono conectado a ella.
- **TALKOVER:** activa (ON) o desactiva la función de prioridad del micrófono sobre las entradas de línea. Cuando la función TALKOVER se encuentra activa, la señal de micrófono atenuará a la de línea que se encuentre seleccionada (LINE 1 ó 2) al superar el umbral de activación definido.
- **AUTO STANDBY:** activa (ON) o desactiva la función de AUTO STANDBY. Cuando dicha función se encuentra activa el CA40 pasará automáticamente al modo STANDBY o de bajo consumo en ausencia de señales de audio en sus entradas.
- **BRIDGE / MONO (y STEREO):** selecciona el modo de trabajo de las salidas amplificadas de la unidad:
 - **BRIDGE y MONO en OFF:** trabajo en modo estéreo L / R
 - **BRIDGE ON (y MONO en ON o en OFF, indistintamente):** trabajo en modo puente, amplificando la señal L+R mediante ambos canales unidos como un único amplificador y de potencia sumada
 - **BRIDGE OFF y MONO ON:** trabajo en modo MONO, ambos canales independientes y cada uno de ellos amplificando la señal L+R

4.6. Modo de bloqueo

Para entrar o salir del modo de bloqueo del CA40 es preciso mantener pulsado el control VOL/MUTE durante un período de 10 segundos, desde el modo VOL/MUTE. Los indicadores LED SETTING parpadearán 3 veces para indicar la entrada en el modo de bloqueo. En el modo de bloqueo no es posible manejar el dispositivo mediante el control VOL/MUTE (volverá a parpadear 3 veces para indicar que se encuentra en dicho modo al operar sobre el control giratorio), quedando este protegido frente a manipulaciones indebidas hasta que se retorna al funcionamiento normal del equipo tras mantener pulsado de nuevo el control VOL/MUTE durante un período de 10 segundos (los indicadores LED SETTING parpadearán 2 veces para indicar la salida del modo de bloqueo).

Nota: el modo de bloqueo, una vez activado, se mantiene incluso después de apagar y encender el equipo, no saliendo de él hasta que se actúa de nuevo pulsando y manteniendo pulsado de nuevo el control VOL/MUTE durante un período de 10 segundos

4.7. Restaurar valores por defecto y actualización de firmware

Si desea restaurar los ajustes de fábrica del CA40 siga este procedimiento:

1. Con el equipo apagado, pulse y mantenga pulsado el control giratorio
2. Sin soltarlo, encienda la unidad. El indicador LED MUTE parpadeará
3. Espere unos segundos y apague de nuevo el CA40
4. La próxima vez que lo encienda, tendrá en memoria los ajustes por defecto con los que la unidad sale de fábrica

Nota: para actualizar el firmware de la unidad, consulte la página de producto en www.ecler.com, donde hallará la utilidad software de actualización y las instrucciones para llevar a cabo el proceso.

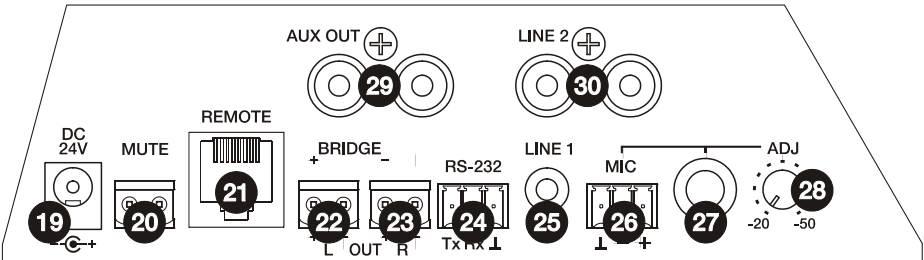
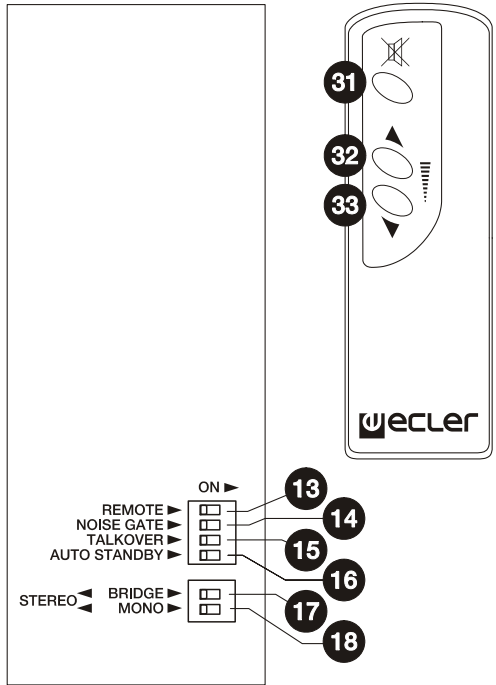
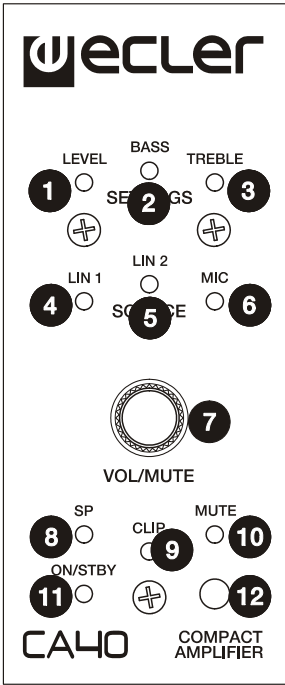
5. LIMPIEZA

El CA40 no deberá limpiarse con sustancias disolventes o abrasivas puesto que se corre el riesgo de deteriorar la serigrafía. Para su limpieza se utilizará un trapo humedecido con agua y un detergente líquido neutro, secándolo a continuación con un paño limpio. En ningún caso se debe permitir la entrada de agua por cualquiera de los orificios del aparato.

6. LISTA DE FUNCIONES

1. Indicador luminoso LEVEL
2. Indicador luminoso BASS
3. Indicador luminoso TREBLE
4. Indicador luminoso LIN 1
5. Indicador luminoso LIN 2
6. Indicador luminoso MIC
7. Control giratorio digital VOL/MUTE
8. Indicador luminoso de presencia de señal en la entrada SP
9. Indicador luminoso de recorte CLIP
10. Indicador luminoso de enmudecimiento MUTE
11. Indicador luminoso de funcionamiento/reposo ON/STBY
12. Receptor del mando a distancia, REMOTE
13. Microinterruptor REMOTE
14. Microinterruptor NOISE GATE
15. Microinterruptor TALKOVER
16. Microinterruptor AUTO STANDBY
17. Microinterruptor BRIDGE / STEREO
18. Microinterruptor MONO / STEREO
19. Conector de alimentación DC24V
20. Control remoto MUTE
21. Conector RJ-45, REMOTE
22. Salida amplificada OUT L
23. Salida amplificada OUT R
24. Control remoto mediante protocolo CA-NET, RS-232
25. Entrada línea minijack, LINE 1
26. Entrada de micrófono, MIC
27. Entrada de micrófono jack, MIC
28. Ajuste de sensibilidad entrada MIC
29. Salida auxiliar AUX OUT
30. Entrada línea RCA, LINE 2
31. Pulsador de enmudecimiento de equipo
32. Pulsador para subir el volumen
33. Pulsador para bajar el volumen

7. DIAGRAMA DE FUNCIONES



NOTICE D'INSTRUCTIONS

FR

1. NOTE IMPORTANTE	28
1.1. Conformité avec les réglementations internationales	28
2. INTRODUCTION	28
3. INSTALLATION	29
3.1. Emplacement d'installation et montage	29
3.2. Raccordement au secteur	29
3.3. Branchement de l'entrée audio	29
3.4. Branchement de la sortie audio	30
3.5. Options de commande à distance	30
4. FONCTIONNEMENT ET UTILISATION	31
4.1. Mise en marche et mode de fonctionnement par défaut	31
4.2. Modes spéciaux de sélection de sources actives et réglage de leurs paramètres	32
4.3. Fonction AUTO STANDBY	33
4.4. Voyants DEL	33
4.5. Micro-interrupteurs du panneau arrière	34
4.6. Mode de verrouillage	35
4.7. Restauration des valeurs par défaut et mise à jour du micrologiciel	35
5. ENTRETIEN	35
6. LISTE DES FONCTIONS	36
7. SCHÉMA DE FONCTIONS	37
8. CARACTÉRISTIQUES TECHNIQUES	50
9. SCHÉMA FONCTIONNEL	51
10. SCHÉMA DE CONFIGURATION	52

Toutes les valeurs mentionnées dans ce document sont susceptibles d'être modifiées en raison des tolérances de production. ECLER SA se réserve le droit de changer ou d'améliorer les processus de fabrication ou de conception de ses produits, entraînant ainsi des modifications au niveau des spécifications techniques de ces derniers.



1. NOTE IMPORTANTE

Félicitations ! Vous avez en votre possession le résultat d'une conception et d'une fabrication particulièrement soignées. Nous vous remercions de votre confiance pour avoir choisi notre micro-amplificateur CA40.

Pour exploiter au mieux toutes les fonctionnalités et obtenir un rendement maximal de cet appareil, il s'avère TRÈS IMPORTANT de lire attentivement et de suivre les recommandations de ce manuel avant toute connexion.

Pour obtenir le meilleur fonctionnement de cet appareil, il est préconisé que l'entretien soit réalisé par le Service technique Ecler.

1.1. Conformité avec les réglementations internationales

Le micro-amplificateur CA40 est conforme aux réglementations internationales suivantes :

- EN55103-1 *Compatibilité électromagnétique.*
Norme de famille de produits pour les appareils à usage professionnel audio, vidéo, audiovisuels et de commande de lumière pour spectacles
Partie 1 : émissions
- EN55103-2 *Compatibilité électromagnétique.*
Norme de famille de produits pour les appareils à usage professionnel audio, vidéo, audiovisuels et de commande de lumière pour spectacles
Partie 2 : immunité
- EN60065 *Appareils audio, vidéo et appareils électroniques analogues. Exigences de sécurité*
Respect des exigences des directives 73/23/CEE et 2004/108/CE

2. INTRODUCTION

Le CA40 est un amplificateur stéréo aux dimensions particulièrement réduites, dont les multiples fonctions de commande à distance (port série RS-232, récepteur à infrarouge, port de commande à distance 0-10 Vcc) le convertissent en un appareil idéal pour les applications d'intégration audiovisuelle avec d'autres dispositifs : salles de cours, salles de réunion et de présentation multimédia, locaux commerciaux, etc.

Caractéristiques principales :

- Amplificateur de 2 x 20 W RMS @ 4 Ω
- Source d'alimentation externe universelle
- Fonction AUTO STANDBY : en l'absence de signal audio, l'unité passe automatiquement en mode de veille ou STANDBY afin de minimiser sa consommation.
- Amplificateur hautes performances, léger, et silencieux (refroidissement par convection, sans ventilateur)
- Fonctionnement stéréo, parallèle et bridgé
- 1 entrée de microphone symétrique, avec préamplificateur de haute qualité, alimentation phantom, porte de bruit et fonction « talkover » ou priorité sur le reste des entrées
- 2 entrées de ligne stéréo (dissymétriques)
- Contrôle d'égalisation à 2 bandes (graves, aigus) indépendant pour l'entrée de microphone et l'entrée 1&2 de ligne
- Sortie auxiliaire pour liaison avec d'autres amplificateurs ou dispositifs audio externes
- Commande locale par bouton rotatif numérique (encodeur)
- Contrôle à distance par télécommande infrarouge
- Commande à distance par panneau mural WPmVOL ou WPmVOL-SR (0-10 Vcc)
- Port de commande RS-232
- Port MUTE pour mise en sourdine totale de l'unité par fermeture de contact externe

3. INSTALLATION

3.1. Emplacement d'installation et montage

Grâce à sa conception et à la disposition de ses connecteurs, commandes et voyants DEL, le CA40 peut être installé au mur ou sur/sous une surface (table, étagère, meuble, etc.).

3.2. Raccordement au secteur

L'amplificateur est alimenté en courant alternatif par sa source d'alimentation externe : 100-240 Vca et 50-60 Hz.

La source d'alimentation de l'amplificateur doit être raccordée à la terre dans de bonnes conditions (résistance de terre $R_g = 30 \Omega$ ou valeur inférieure). L'environnement de travail doit être sec et sans poussières. Ne pas exposer l'appareil à l'humidité ou à des éclaboussures. Ne pas y déposer d'objets contenant des liquides ni des sources de flamme nue telles que des bougies.

Avant toute intervention et/ou connexion/déconnexion, le cordon d'alimentation de l'amplificateur doit être préalablement débranché. L'intérieur de l'amplificateur ne contient aucun élément pouvant être manipulé par l'utilisateur.



Éviter de mêler le cordon de secteur aux cordons audio au risque de provoquer des ronflements.

3.3. Branchement de l'entrée audio

Deux types de signaux peuvent être reçus par les voix d'entrée du CA40 :

- **Microphone (MIC)** : présence d'un connecteur de type Euroblock ou jack, préparé pour supporter un niveau de signal compris entre -20 dBV et -50 dBV, avec une sensibilité réglable à travers son bouton ADJ.

REMARQUE : l'entrée de microphone dispose d'une alimentation phantom destinée aux microphones à condensateur qui peut être activée par shunt interne (se reporter à la section **10. SCHÉMA DE CONFIGURATION**).

- **Signaux de ligne (LINE 1, LINE 2)** : ces lignes disposent d'une connexion stéréo non symétrique de type minijack ou double RCA. Elles sont conçues pour supporter des signaux compris entre -6 dBV et 0 dBV, avec une sensibilité réglable par shunt interne (se reporter à la section **10. SCHÉMA DE CONFIGURATION**). Ces lignes peuvent recevoir des signaux de lecteurs CD, de syntoniseurs radio, de consoles de mixage, de reproducteurs multimédia, de sorties audio d'ordinateurs et de tablettes, etc.

REMARQUE : les platines tourne-disques NE PEUVENT PAS ÊTRE RACCORDÉES directement à cet appareil car aucune des entrées ne dispose de préamplificateur de type RIAA.

Le CA40 propose les modes de fonctionnement suivants en fonction des sources d'entrée sélectionnées en tant que sources actives :

- **LINE 1** : seule l'entrée LINE 1 est envoyée au bus de mixage pour être amplifiée et délivrée aux sorties OUT L et R.
- **LINE 2** : seule l'entrée LINE 2 est envoyée au bus de mixage pour être amplifiée et délivrée aux sorties OUT L et R.
- **MIC** : seule l'entrée de microphone (MIC) est envoyée au bus de mixage pour être amplifiée et délivrée aux sorties OUT L et R.

- **LINE 1 + MIC** : les entrées LINE 1 et MIC sont mixées, amplifiées et délivrées aux sorties OUT L et R. Si la fonction TALKOVER est active, le signal de microphone atténue le signal de ligne lorsque le seuil d'activation est dépassé.
- **LINE 2 + MIC** : les entrées LINE 2 et MIC sont mélangées, amplifiées et délivrées aux sorties OUT L et R. Si la fonction TALKOVER est active, le signal de microphone atténue le signal de ligne lorsque le seuil d'activation est dépassé.

La sélection de l'un des 5 modes de fonctionnement a lieu au moyen du mode spécial de sélection du bouton rotatif avant (se reporter à la section **4.2. Modes de sélection de sources actives et réglage de leurs paramètres** pour connaître la procédure complète).

3.4. Branchement de la sortie audio

Les sorties amplifiées (**OUT L** et **R**) sont pourvues de connecteurs Euroblock.

Le cordon de raccordement qui relie les sorties du CA40 et les haut-parleurs doit être de bonne qualité, doit posséder une section suffisante et doit être le plus court possible.

Les sorties peuvent fonctionner en mode stéréo, mono (même signal L+R dans les deux voies) ou bridgé (signal L+R amplifié pour les deux voies connectées entre elles comme s'il s'agissait d'une seule voie). La sélection de l'un de ces 3 modes a lieu au moyen des micro-interrupteurs **STEREO-BRIDGE-MONO** du panneau arrière (se reporter à la section **7. SCHÉMA DE FONCTIONS** pour de plus amples informations).

En mode bridgé, le branchement du signal de sortie est réalisé à travers les bornes positives de chacun des connecteurs L et R, la borne positive du cavalier correspondant à la voie L.

Ne pas oublier que l'impédance minimale de travail pour les amplificateurs qui se trouvent en mode mono ou stéréo est de 4Ω et que celle-ci est de 8Ω en mode bridgé. Pour un bon fonctionnement du CA40, ne travailler en aucun cas avec des impédances inférieures aux valeurs spécifiées précédemment.

Mise en garde : en mode bridgé, seules les bornes indiquées sur la sérigraphie de l'appareil doivent être utilisées pour le branchement des haut-parleurs.

Le CA40 est également pourvu d'une sortie auxiliaire (**AUX OUT**) non amplifiée, ce qui permet de connecter l'appareil à d'autres amplificateurs ou dispositifs externes. La sortie auxiliaire **AUX OUT** fournit un signal de niveau de ligne (0 dBV), qui correspond à une réplique non amplifiée du signal délivré aux bornes **OUTPUT L** et **R**.

3.5. Options de commande à distance

- Port **REMOTE** : le connecteur de type RJ-45 **REMOTE** permet de raccorder un panneau de commande mural de type WPmVOL ou WPmVOL-SR (commande 0-10 Vcc) pour le réglage du volume général de sortie et/ou la sélection de l'un des 5 modes de sources actives de fonctionnement (LINE 1, LINE 2, MIC, LINE 1 + MIC et LINE 2 + MIC). Le branchement a lieu au moyen d'un câble CAT5 standard entre le panneau mural WPmVOL ou WPmVOL-SR et le connecteur REMOTE du CA40.

Sur un amplificateur CA40, la coexistence d'une commande de type WPm et d'autres types de commandes (bouton rotatif avant, télécommande infrarouge ou commande par port série) explique la raison pour laquelle les derniers réglages réalisés par une méthode ou une autre priment systématiquement. Par exemple, lorsqu'une sélection de sources actives et/ou un réglage de volume au moyen d'un panneau mural WPmVOL-SR raccordé au port **REMOTE** est réalisée et que ces paramètres sont par la suite modifiés à l'aide du bouton rotatif avant, le réglage réalisé à l'aide de cette dernière commande est prioritaire. Le cas échéant, le

CA40 reprend les valeurs indiquées par le panneau mural lorsque sa position est de nouveau modifiée, et ainsi de suite.

- Port **MUTE** : le connecteur **MUTE** permet de raccorder une fermeture de contact externe sec pour mettre entièrement en sourdine le CA40 lorsqu'un dispositif externe agit dessus (un système centralisé d'alertes pour les urgences et les évacuations, par exemple).
- Port **RS-232** : le port de communication série **RS-232** permet la gestion du CA40 à distance à partir d'un ordinateur ou d'un système de commande externe qui supporte ce protocole. Consulter le manuel du protocole **CA-NET** pour obtenir de plus amples informations concernant les détails de la connexion et la syntaxe des commandes supportées. Les spécifications de la connexion série sont les suivantes :
 - Baud rate : 9 600 (fixe, sans auto-négociation)
 - Data bits : 8
 - Parity : none
 - Stop bits : 1
 - Flow control : none

CÂBLAGE RS-232 – DB9	
RS-232 CA40	DB9
Tx	Broche 2 (RxD)
Rx	Broche 3 (TxD)
GND	Broche 5 (signal Gnd)

- Récepteur **IR** : le récepteur IR intégré permet de contrôler le volume général du CA40 et sa fonction **MUTE ON/OFF** depuis la télécommande **REVO-IR** fournie avec l'unité.

4. FONCTIONNEMENT ET UTILISATION

4.1. Mise en marche et mode de fonctionnement par défaut

Pour allumer le CA40, il suffit de raccorder la source d'alimentation externe au secteur après avoir branché cette dernière au connecteur **DC 24V** du CA40. Le voyant **ON/STBY** du panneau avant s'allume immédiatement. Il est fortement recommandé de mettre tous les appareils en marche en respectant la séquence suivante : sources de son, unités de mixage, égaliseurs, filtres actifs, processeurs puis amplificateurs de puissance. Pour éteindre les appareils, procéder dans l'ordre inverse. En respectant cette séquence, les transitoires générés par l'allumage ou l'arrêt d'un appareil n'ont aucune répercussion sur les appareils suivants (ces phénomènes demeurent inaudibles).

Par défaut, l'unité se trouve en mode de réglage du volume. Sous ce mode, le bouton rotatif **VOL/MUTE** du panneau avant agit sur le volume général de sortie du CA40. Ce bouton possède un maximum de 64 crans entre le volume minimum et le volume maximum de l'unité. En le tournant, le volume est modifié et le voyant **LEVEL** se met à clignoter. Lorsque le bouton est tourné dans un sens ou dans l'autre, celui-ci clignote pendant l'augmentation ou la diminution du volume de sortie. Il reste allumé en permanence lorsque l'une des valeurs limites est atteinte et que l'augmentation ou la diminution du volume de l'unité n'est plus possible.

Une pression rapide du bouton **VOL/MUTE** permet d'activer/désactiver la fonction de mise en sourdine de l'unité (MUTE ON/OFF). Le voyant **MUTE** s'allume lorsque la mise en sourdine est activée.

Lorsque le réglage du volume est réalisé au moyen de la télécommande infrarouge, les indications visuelles des voyants **LEVEL** et **MUTE** sont identiques au réglage réalisé à l'aide du bouton rotatif du panneau avant.

4.2. Modes spéciaux de sélection de sources actives et réglage de leurs paramètres

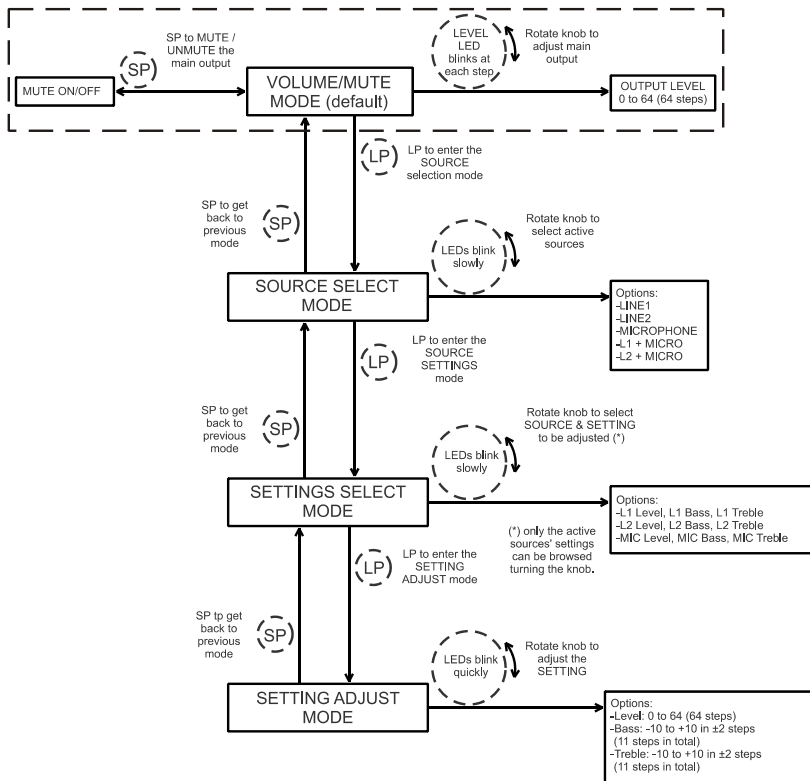
Le bouton rotatif avant permet d'accéder à des modes spéciaux pour la sélection des sources actives et le réglage de leurs paramètres de niveau et d'égalisation (graves et aigus). Pour accéder à ces modes et naviguer dans ces derniers, il suffit d'appuyer un certain temps sur le bouton pour ensuite le tourner. Le réglage de niveau de chaque source permet de réaliser un mixage entre un signal de microphone et un signal de ligne et de faire en sorte que le résultat de ce mixage soit pris en compte par le volume général de sortie de l'unité de manière globale, à savoir en respectant les niveaux relatifs de chaque source.

La procédure complète pour accéder à ces modes spéciaux et naviguer dans ces derniers, ainsi que les options disponibles dans chacun d'entre eux, sont indiquées sur le graphique suivant :

CA40 adjustments with front knob browser

SP: Short Press (press the VOL/MUTE knob briefly, less than 0,5 s)

LP: Long Press (press & hold the VOL/MUTE knob more than 2,5 s)



Remarques :

1. Sous un mode spécial, l'appareil retourne automatiquement au mode par défaut de réglage VOL/MUTE lorsque le bouton rotatif avant n'est pas touché pendant 10 secondes.
2. Sous le mode de réglage de tonalité, le bouton se met à clignoter rapidement lorsqu'il est tourné dans un sens ou dans l'autre pour indiquer que le gain de la tonalité concernée augmente. Lorsque le bouton se met à clignoter plus lentement, cela signifie que la tonalité a atteint l'une de ses valeurs limites (-10 ou +10 dB) ou qu'elle est passée par le point central (0 dB).

4.3. Fonction AUTO STANDBY

La fonctionnalité **AUTO STANDBY** (mode de veille ou de basse consommation) permet d'installer le CA40 dans des endroits peu accessibles, en raison du fait qu'elle permet de laisser l'appareil raccordé au secteur de manière indéfinie, ce mode pouvant être activé ou désactivé de manière automatique selon la présence d'un signal d'entrée ou non.

Pour activer le mode **AUTO STANDBY**, il importe d'actionner le micro-interrupteur du même nom situé sur le panneau arrière de l'unité (se reporter à la section **7. SCHÉMA DE FONCTIONS**). Lorsque cette fonction est activée et qu'aucun signal audio ne se présente pendant 2 minutes ou plus au niveau de n'importe laquelle des entrées de l'appareil (ou que le signal est très faible, à savoir inférieur au seuil d'activation), le CA40 passe automatiquement en mode STANDBY et le voyant **ON/STBY** situé sur le panneau avant du dispositif s'allume de couleur orange. À partir du moment où un signal audio valide réapparaît dans l'une des entrées, le CA40 quitte le mode de veille et reprend son régime de fonctionnement normal. Le voyant **ON/STBY** s'allume alors de couleur verte.

Lors de l'activation du mode **AUTO STANDBY** à l'aide du micro-interrupteur (position **ON**), 2 situations peuvent se présenter :

- a) **ABSENCE** de signal audio au niveau des entrées. Résultat : l'amplificateur passe immédiatement en **AUTO STANDBY**.
- b) **PRÉSENCE** de signal audio au niveau des entrées. Résultat : l'amplificateur reste actif.

Lorsque l'amplificateur passe en mode **AUTO STANDBY**, tous les voyants DEL s'éteignent à l'exception du voyant **ON/STBY**. En mode STANDBY, les voyants DEL se rallument pendant une courte durée puis s'éteignent de nouveau lorsque l'on intervient sur le bouton rotatif **VOL/MUTE** pour modifier le volume ou activer la fonction MUTE. Tenir compte du fait que le premier mouvement réalisé sur le bouton rotatif VOL/MUTE rallume uniquement les voyants DEL. Seuls les mouvements suivants ont un effet sur les paramètres.

Lorsque l'unité se trouve sous l'un des modes spéciaux (sélection de sources, sélection de paramètres ou réglage de paramètres), les voyants DEL ne s'éteignent pas même lorsque l'amplificateur passe en mode **AUTO STANDBY**.

4.4. Voyants DEL

- **SP** : le voyant de présence de signal ou **SP** indique la présence de signal dans l'entrée de l'amplificateur. Il s'allume lorsque le niveau détecté en entrée est supérieur au seuil de détection fixé.
- **CLIP** : le voyant de saturation ou **CLIP** s'allume lorsque le signal délivré aux haut-parleurs se trouve à proximité du niveau d'écrouissage ou de saturation de l'amplificateur. Les niveaux du signal entrant doivent être réglés de manière à ce que les voyants **CLIP** (saturation ou écrouissage) ne restent jamais allumés en

permanence, à savoir que ces derniers s'allument au maximum au rythme des fréquences les plus graves du passage du son. Dans le cas contraire, le signal amplifié présente des niveaux élevés de distorsion, une faible qualité acoustique et une netteté phonique médiocre.

- **MUTE** : ce voyant s'allume lorsque la fonction **MUTE** est activée (appareil mis en sourdine).
- **ON/STBY** : ce voyant s'illumine de couleur verte lorsque l'appareil se trouve dans son régime de fonctionnement normal et il s'illumine de couleur orange lorsque l'appareil se trouve en mode de veille ou de basse consommation (STANDBY).
- **LEVEL** : ce voyant se met à clignoter lorsque le niveau général de l'appareil est réglé. Il s'allume également sous les modes spéciaux de réglage de niveau des entrées (se reporter à la section **4.2. Modes de sélection de sources actives et de réglage de leurs paramètres**).
- **BASS** : ce voyant s'allume sous les modes spéciaux de réglage des fréquences des graves (se reporter à la section **4.2. Modes de sélection de sources actives et de réglage de leurs paramètres**).
- **TREBLE** : ce voyant s'allume sous les modes spéciaux de réglage des fréquences des aigus (se reporter à la section **4.2. Modes de sélection de sources actives et de réglage de leurs paramètres**).
- **LIN 1, LIN 2 et MIC** : ces voyants s'allument sous les modes spéciaux de choix des sources actives et de réglage (se reporter à la section **4.2. Modes de sélection de sources actives et de réglage de leurs paramètres**).

4.5. Micro-interrupteurs du panneau arrière

- **REMOTE** : il permet d'activer (ON) la commande à distance depuis un panneau mural de type WPmVOL ou WPmVOL-SR raccordé au port REMOTE.
- **NOISE GATE** : il active (ON) ou désactive la fonction de porte de bruit pour l'entrée de microphone. Lorsque cette fonction est activée, l'entrée de microphone est mise en sourdine en l'absence d'un signal supérieur au seuil d'activation de la fonction, le bruit de fond capté par le microphone branché à cette entrée étant ainsi refusé.
- **TALKOVER** : il active (ON) ou désactive la fonction de priorité du microphone sur les entrées de ligne. Lorsque la fonction TALKOVER est activée, le signal de microphone atténué le signal de ligne sélectionné (LINE 1 ou 2) lorsque le seuil d'activation défini est dépassé.
- **AUTO STANDBY** : il active (ON) ou désactive la fonction AUTO STANDBY. Lorsque cette fonction est activée, le CA40 passe automatiquement en mode STANDBY ou basse consommation en l'absence de signaux audio au niveau de ses entrées.
- **BRIDGE/MONO (et STEREO)** : permet de sélectionner le mode de fonctionnement des sorties amplifiées de l'unité :
 - **BRIDGE et MONO sur OFF** : fonctionnement en mode stéréo L / R.
 - **BRIDGE ON (et MONO sur ON ou sur OFF)** : fonctionnement en mode bridgé (amplification du signal L+R, les deux voies étant fusionnées comme s'il s'agissait d'un seul amplificateur, avec somme de la puissance).
 - **BRIDGE OFF et MONO ON** : fonctionnement en mode MONO (les deux voies sont indépendantes et chacune d'entre elles amplifie le signal L+R).

4.6. Mode de verrouillage

Pour accéder au mode de verrouillage du CA40 et le quitter, il suffit de maintenir le bouton VOL/MUTE enfoncé pendant 10 secondes (sous le mode VOL/MUTE). Les voyants SETTING se mettent à clignoter 3 fois de suite pour signaler que l'appareil est passé en mode de verrouillage. Sous le mode de verrouillage, toute manipulation du dispositif au moyen du bouton VOL/MUTE est impossible (celui-ci se remet à clignoter 3 fois de suite pour indiquer qu'il se trouve sous ce mode lorsqu'il est manipulé). L'appareil est donc protégé contre toute manipulation accidentelle jusqu'à ce qu'il soit remis en mode de fonctionnement normal en maintenant de nouveau le bouton VOL/MUTE enfoncé pendant 10 secondes (les voyants SETTING se mettent à clignoter 2 fois de suite pour signaler que l'appareil a quitté le mode de verrouillage).

Remarque : après avoir été activé, le mode de verrouillage est conservé même lorsque l'appareil est éteint puis rallumé. Le seul moyen de quitter ce mode consiste à maintenir le bouton VOL/MUTE enfoncé pendant 10 secondes.

4.7. Restauration des valeurs par défaut et mise à jour du micrologiciel

Pour restaurer les réglages d'usine du CA40, suivre la procédure ci-dessous :

1. Appareil éteint, maintenir le bouton rotatif enfoncé.
2. Allumer l'unité sans relâcher le bouton. Le voyant MUTE se met alors à clignoter.
3. Patienter quelques secondes et éteindre de nouveau le CA40.
4. Les réglages d'usine sont désormais paramétrés sur l'unité dès que celle-ci est rallumée.

Remarque : pour mettre à jour le micrologiciel de l'unité, consulter la page du produit sur le site www.ecler.com. Celle-ci contient l'utilitaire du logiciel de mise à jour et les instructions pour mener à bien cette procédure.

5. ENTRETIEN

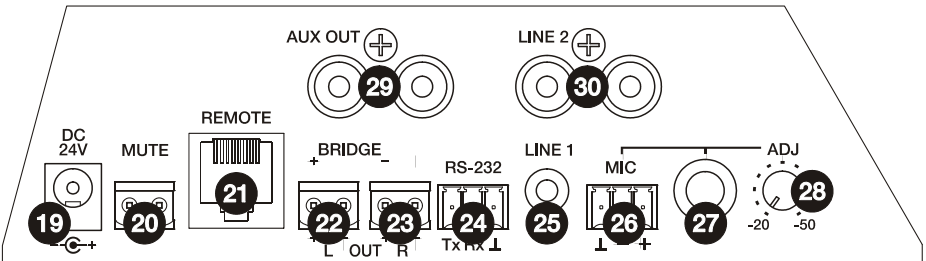
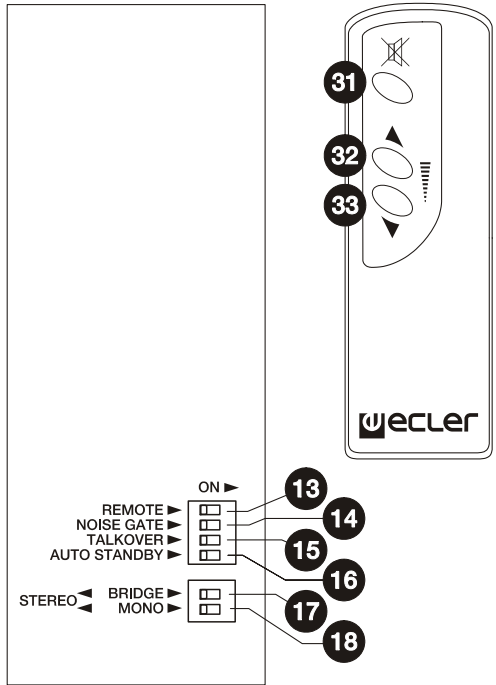
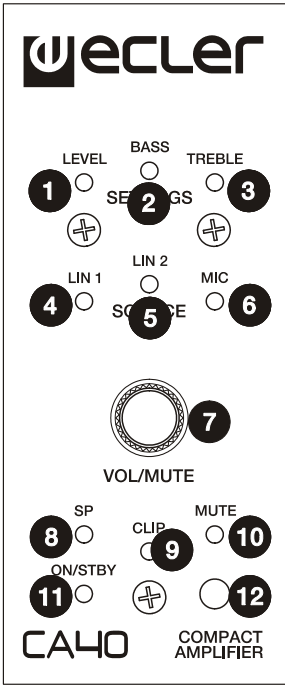
Le CA40 ne doit pas être nettoyé à l'aide de substances dissolvantes ou abrasives au risque d'en détériorer la sérigraphie. Utiliser uniquement un chiffon humide et un détergent liquide neutre, puis sécher le tout avec un chiffon propre. L'eau ou tout autre liquide ne doit en aucun cas pénétrer à travers les orifices de l'appareil.

6. LISTE DES FONCTIONS

1. Voyant lumineux LEVEL
2. Voyant lumineux BASS
3. Voyant lumineux TREBLE
4. Voyant lumineux LIN 1
5. Voyant lumineux LIN 2
6. Voyant lumineux MIC
7. Bouton rotatif numérique VOL/MUTE
8. Voyant lumineux de présence de signal en entrée SP
9. Voyant lumineux d'écrêtage CLIP
10. Voyant lumineux de mise en sourdine MUTE
11. Voyant lumineux de fonctionnement/veille ON/STBY
12. Récepteur de la télécommande REMOTE
13. Micro-interrupteur REMOTE
14. Micro-interrupteur NOISE GATE
15. Micro-interrupteur TALKOVER
16. Micro-interrupteur AUTO STANDBY
17. Micro-interrupteur BRIDGE/STEREO
18. Micro-interrupteur MONO/STEREO
19. Connecteur d'alimentation DC24V
20. Commande à distance MUTE
21. Connecteur RJ-45 REMOTE
22. Sortie amplifiée OUT L
23. Sortie amplifiée OUT R
24. Commande à distance par protocole CA-NET, RS-232
25. Entrée de ligne minijack LINE 1
26. Entrée de microphone MIC
27. Entrée de microphone jack MIC
28. Réglage de sensibilité entrée MIC
29. Sortie auxiliaire AUX OUT
30. Entrée de ligne RCA LINE 2
31. Bouton de commande de mise en sourdine de l'appareil
32. Bouton de commande d'augmentation du volume
33. Bouton de commande de diminution du volume

7. SCHÉMA DE FONCTIONS

FR



BEDIENUNGSANLEITUNG

1. WICHTIGER HINWEIS	40
1.1. Auslegung gemäß internationaler Normen	40
2. EINLEITUNG	40
3. AUFSTELLUNG	41
3.1. Aufstellungsort und Montage	41
3.2. Anschluss an das Stromnetz	41
3.3. Anschluss der Audioeingänge	41
3.4. Anschluss der Audioausgänge	42
3.5. Optionen der Fernsteuerung	42
4. BETRIEB UND BEDIENUNG	43
4.1. Inbetriebnahme und Standardbetriebsart	43
4.2. Sonderbetriebsarten zur Auswahl der aktiven Audioquellen und Einstellung der zugehörigen Parameter	44
4.3. AUTO STANDBY-Funktion	45
4.4. LED-Anzeigen	45
4.5. Mikroschalter an der Geräterückseite	46
4.6. Gerätesperre	47
4.7. Wiederherstellung der Werkseinstellungen und Firmware-Aktualisierung	47
5. REINIGUNG	47
6. FUNKTIONSLISTE	48
7. FUNKTIONSDIAGRAMM	49
8. TECHNISCHE DATEN	50
9. BLOCKSCHALTBILD	51
10. KONFIGURATIONSÜBERSICHT	52

DE

Aufgrund von Fertigungstoleranzen können die Angaben von den tatsächlich gemessenen Werten abweichen. ECLER S.A. behält sich fertigungs- und entwicklungsbedingte Veränderungen oder Verbesserungen am Gerät vor, durch die sich bestimmte Spezifikationen verändern können.



1. WICHTIGER HINWEIS

Herzlichen Glückwunsch. Sie haben sich für ein sorgfältig konzipiertes, hochwertiges Produkt entschieden. Wir danken Ihnen für Ihr Vertrauen bei der Auswahl des Kompaktverstärkers CA40.

DE

Für einen optimalen Betrieb und maximale Leistung ist es UNBEDINGT ERFORDERLICH, vor dem Anschluss des Gerätes die Hinweise in dieser Bedienungsanleitung sorgfältig zu lesen und genauestens zu befolgen.

Um einen optimalen Betrieb des Gerätes zu gewährleisten, sollte die Wartung des Gerätes nur von einem unserer Kundendienstpartner durchgeführt werden.

1.1. Auslegung gemäß internationaler Normen

Der Kompaktverstärker CA40 erfüllt folgende internationale Normen:

- EN 55103-1 *Elektromagnetische Verträglichkeit. Produktfamiliennorm für Audio-, Video- und audiovisuelle Einrichtungen sowie für Studio-Lichtsteuereinrichtungen für den professionellen Einsatz Teil 1: Störaussendungen*
- EN 55103-2 *Elektromagnetische Verträglichkeit. Produktfamiliennorm für Audio-, Video- und audiovisuelle Einrichtungen sowie für Studio-Lichtsteuereinrichtungen für den professionellen Einsatz Teil 2: Störfestigkeit*
- EN 60065 *Audio-, Video- und ähnliche elektronische Geräte. Sicherheitsanforderungen*
Erfüllt die Anforderungen der Richtlinien 73/23/EWG und 2004/108/EG

2. EINLEITUNG

Bei dem CA40 handelt es sich um einen Stereoverstärker in Kompaktbauweise mit zahlreichen Fernsteuerungsfunktionen (serielle RS-232-Schnittstelle, IR-Empfänger, Fernsteueranschluss 0-10 VDC), der hervorragend für audiovisuelle Anwendungen in Verbindung mit anderen Anlagen in Unterrichts- und Tagungsräumen, Multimediapräsentationen, Geschäftsräumen usw. geeignet ist.

Wesentliche Merkmale:

- Verstärker 2 x 20 W RMS @ 4 Ω
- externes Universal-Netzteil
- AUTO STANDBY-Funktion: Wenn kein Audiosignal ansteht, schaltet die Anlage zum Stromsparen automatisch in den Ruhemodus bzw. *STANDBY*
- kompakter und leiser Hochleistungsverstärker (Konvektionskühlung ohne Lüfter)
- unterstützt Stereo-, Parallel- und Brückenbetrieb
- 1 symmetrischer Mikrofoneingang mit hochwertigem Vorverstärker, *Phantomspannung*, Noise-Gate und "Talkover-Funktion", d. h. Priorität gegenüber anderen Eingänge
- 2 Stereo-Line-Eingänge (unsymmetrisch)
- separate 2-Band-Klangregelung (Bass, Treble) für den Mikrofoneingang und Line-Eingang 1&2
- Hilfsausgang zum Anschluss an weitere Verstärker oder externe Audiogeräte
- einfache Bedienung durch digitale Drehregler („Encoder“)
- Fernsteuerung über IR-Fernbedienung
- Fernsteuerung über Wandbedienbox WPmVOL oder WPmVOL-SR (0-10 VDC)
- RS-232-Steueranschluss
- MUTE-Anschluss zur Stummschaltung der Anlage durch externen Abschaltkontakt

3. AUFSTELLUNG

3.1. Aufstellungsort und Montage

Aufgrund seiner Bauform und der Anordnung der Anschlüsse, Regler und LED-Anzeigen kann der Kompaktverstärker CA40 entweder hängend an der Wand oder stehend unter einer Fläche (Tisch, Regal, Möbel...) betrieben werden.

3.2. Anschluss an das Stromnetz

Der Verstärker wird über das externe Netzteil mit Wechselstrom 100-240 VAC und 50-60 Hz versorgt.

Das Verstärker-Netzteil muss an eine funktionsfähige Masseleitung (Erdungswiderstand, $R_g = 30 \Omega$ oder weniger) angeschlossen werden. Die Betriebsumgebung des Gerätes muss trocken und staubfrei sein. Das Gerät muss gegen eindringendes Wasser oder Spritzer geschützt sein. Flüssigkeiten oder offenes Feuer wie etwa durch Kerzen dürfen nicht auf dem Gerät abgestellt werden.



Bei Arbeiten und/oder Anschließen/Entfernen von Leitungen muss der Verstärker zunächst von der Stromversorgung getrennt werden. Innerhalb des Verstärkergehäuses befinden sich keine für den Anwender relevanten Bedienelemente.

Um Rauschen zu vermeiden, muss das Netzkabel getrennt von den geschirmten Audio-Leitungen geführt werden.

3.3. Anschluss der Audioeingänge

Die CA40-Eingangskanäle sind für zwei verschiedene Signalarten geeignet:

- Mikrofon (**MIC**): symmetrischer Euroblock-Anschluss oder Klinkenbuchse für einen zulässigen Signalpegel von -20 dBV bis -50 dBV mit einstellbarer Empfindlichkeit über ADJ-Regler

HINWEIS: Der Mikrofoneingang ist mit einer Phantomspeisung für Kondensatormikrofone ausgestattet, die über eine interne Brücke aktiviert werden kann (siehe Abschnitt **10. KONFIGURATIONSÜBERSICHT**).

- Line-Signale (**LINE 1, LINE 2**): unsymmetrische Stereo-Anschlüsse mittels Minibuchse oder 2-fach-Cinch. Ausgelegt für Signale zwischen -6 dBV und 0 dBV mit einstellbarer Empfindlichkeit über interne Brücke (siehe Abschnitt **10. KONFIGURATIONSÜBERSICHT**). Hier können Wiedergabegeräte wie CD-Player, Radio-Tuner, Mischpulte, Multimedia-Player, Audioausgänge von Computern, Tablets usw. angeschlossen werden.

HINWEIS: ES IST NICHT MÖGLICH, Plattenspieler direkt an dieses Gerät anzuschließen, da keine Eingänge mit RIAA-Vorverstärker vorhanden sind.

Mit dem CA40 sind folgende Betriebsarten möglich, je nachdem, welche aktiven Audioquellen verwendet werden:

- **LINE 1:** Nur Eingang LINE 1 wird zum Mix-Bus übertragen, um dort verstärkt und an die Ausgänge OUT L und R weitergeleitet zu werden.
- **LINE 2:** Nur Eingang LINE 2 wird zum Mix-Bus übertragen, um dort verstärkt und an die Ausgänge OUT L und R weitergeleitet zu werden.
- **MIC:** Nur der Mikrofoneingang (MIC) wird zum Mix-Bus übertragen, um dort verstärkt und an die Ausgänge OUT L und R weitergeleitet zu werden.

- **LINE 1 + MIC:** Die Eingänge LINE 1 und MIC werden gemischt, verstärkt und an die Ausgänge OUT L und R übertragen. Bei aktivierter TALKOVER-Funktion dämpft das Mikrofonsignal die Leitungswerte bei Überschreiten des Auslösegrenzwerts.
- **LINE 2 + MIC:** Die Eingänge LINE 2 und MIC werden gemischt, verstärkt und an die Ausgänge OUT L und R übertragen. Wenn die TALKOVER-Funktion aktiviert ist, dämpft das Mikrofonsignal die Leitungswerte bei Überschreiten des Auslösegrenzwerts.

Die 5 Betriebsarten werden über den speziellen Auswahlbetrieb mit dem Drehregler an der Vorderseite eingestellt (Näheres hierzu im Abschnitt **4.2. Auswahlbetrieb für aktive Audioquellen und Einstellung der Parameter**).

3.4. Anschluss der Audioausgänge

Die verstärkten Ausgänge (**OUT L und R**) sind als Euroblock-Stecker ausgeführt.

Für den Anschluss der Lautsprecher an den CA40 dürfen nur hochwertige, möglichst kurze Kabel mit ausreichendem Leiterquerschnitt verwendet werden.

Für die Ausgänge sind die Betriebsarten Stereo, Mono (gleiches Signal L+R für beide Kanäle) oder Bridge möglich (verstärktes L- und R-Signal beider Kanäle, die gekoppelt werden). Die Einstellung der jeweiligen Betriebsart erfolgt über die Mikroschalter **STEREO/BRIDGE/MONO** auf der Geräterückseite (Näheres hierzu in Abschnitt **7. FUNKTIONSDIAGRAMM**).

Im Bridge-Betrieb wird das Ausgangssignal über die Plus-Klemmen der Stecker L und R übertragen, wobei der Plus-Anschluss der Brückenschaltung zu Kanal L gehört.

Dabei ist zu beachten, dass die minimale Betriebsimpedanz der Verstärker im Mono- oder Stereobetrieb 4 Ω und im Bridge-Betrieb 8 Ω beträgt. Für den ordnungsgemäßen Betrieb des CA40 dürfen diese Impedanzwerte nie unterschritten werden.

Achtung: Im Bridge-Betrieb dürfen die Anschlüsse nur entsprechend Siebdruckbeschriftung am Gerät für die Lautsprecher belegt werden.

Zusätzlich verfügt der CA40 über einen unverstärkten Hilfsausgang (**AUT OUT**), an den andere Verstärker oder externe Geräte angeschlossen werden können. Am Hilfsausgang **AUX** steht ein Monosignal mit Line-Pegel (0 dBV) an, bei dem es sich um ein unverändertes und unverstärktes Signal der Anschlüsse **OUTPUT L und R** handelt.

3.5. Optionen der Fernsteuerung

- **REMOTE-Anschluss:** Der **REMOTE**-Stecker (RJ-45) kann mit einer Wandbedienbox des Typs WPmVOL bzw. WPmVOL-SR (0-10 VDC Steuerspannung) zur Einstellung der Lautstärke oder zur Auswahl der aktiven Signalquellen (LINE 1, LINE 2, MIC, LINE 1 + MIC, LINE 2 + MIC) belegt werden. Die Verbindung erfolgt über ein CAT5-Normkabel zwischen der Wandbedienbox WPmVOL bzw. WPmVOL-SR und dem REMOTE-Anschluss am CA40.

Da der CA40 neben der WPm-Bedienbox über weitere Bedien- oder Steuerelemente (Drehregler an der Vorderseite, IR-Fernbedienung oder serielle Schnittstelle) verfügt, ist jeweils die zuletzt vorgenommene Einstellung wirksam. Wird z. B. eine ausgewählte aktive Audioquelle und/oder die mit der Wandbedienbox WPmVOL-SR über den **REMOTE**-Anschluss eingestellte Lautstärke später mit dem Drehregler an der Vorderseite verändert, so sind die Einstellungen durch den Drehregler wirksam, d. h., sobald die Einstellung dann wieder an der Wandbedienbox verändert wird, übernimmt der CA40 wieder diese Werte, und so weiter.

- **MUTE-Anschluss:** Der **MUTE**-Anschluss ermöglicht den Anschluss eines potenzialfreien externen Schließkontaktes, mit dem der CA40 bei Aufschaltung eines externen Gerätes (z. B. Notfall-Durchsagesystem und zentrale Evakuierung) vollständig stummgeschaltet werden kann.
- **RS-232-Anschluss:** Über die serielle **RS-232-Schnittstelle** kann der CA40 von einem Computer oder einer externen Steuerung aus, die dieses Protokoll unterstützt, ferngesteuert werden. Näheres zum Anschluss und Aufbau der unterstützten Befehle finden Sie in der Anleitung des Protokolls **CA-NET**. Für die serielle Verbindung gelten folgende Einstellungen:
 - Baudrate: 9600 (fest, ohne "autonegotiation")
 - Data bits: 8
 - Parity: None
 - Stop bits: 1
 - Flow control: None

KABELVERBINDUNG RS-232 – DB9	
RS-232 CA40	DB9
Tx	Pin 2 (RxD)
Rx	Pin 3 (TxD)
Gnd	Pin 5 (Signal Gnd)

- **IR-Empfänger:** Über den integrierten IR-Empfänger können die Gesamt-Lautstärke des CA40 und die Funktion **MUTE ON / OFF** mit der mitgelieferten Fernbedienung **REVO-IR** gesteuert werden.

4. BETRIEB UND BEDIENUNG

4.1. Inbetriebnahme und Standardbetriebsart

Zum Einschalten muss das externe Netzteil zunächst an den **24V DC**-Anschluss des CA40 angeschlossen werden. Unmittelbar danach leuchtet die LED-Anzeige **ON/STBY** an der Gerätevorderseite auf. Es wird dringend empfohlen, alle Geräte in folgender Reihenfolge einzuschalten: Audioquellen, Mischpult, Equalizer, aktive Filter und schließlich die Leistungsverstärker (Endstufen). Das Ausschalten der Geräte erfolgt in umgekehrter Reihenfolge. Durch diese Ein-/Ausschaltreihenfolge wird sichergestellt, dass keine hörbaren Spannungsspitzen auftreten und die Funktion nachgeschalteter Geräte beeinträchtigen.

Standardmäßig arbeitet die Anlage in der Betriebsart Lautstärkeregelung. In dieser Betriebsart kann die Lautstärke des CA40 mithilfe des vorderseitigen Drehreglers **VOL/MUTE** direkt verstellt werden. Zwischen der minimalen und maximalen Lautstärke des Gerätes sind bis zu 64 Stufen möglich. Bei Betätigung des Drehreglers ändert sich die Lautstärke, und die LED-Anzeige **LEVEL** blinkt. Wird der Regler in eine Richtung gedreht, blinkt die Anzeige und die Ausgangslautstärke verändert sich. Bei Erreichen des Regelendes, d.h. wenn die Lautstärke nicht weiter erhöht bzw. verringert werden kann, leuchtet die LED kontinuierlich.

Bei kurzem Drücken von **VOL/MUTE** wird die Stummschaltung des Gerätes aktiviert/deaktiviert (**MUTE ON/OFF**); die LED-Anzeige **MUTE** leuchtet, solange die Stummschaltung aktiv ist.

Bei der Lautstärkeregelung mit der IR-Fernbedienung verhalten sich die LED-Anzeigen **LEVEL** und **MUTE** genau so wie bei der Lautstärkeregelung über den Drehregler an der Gerätevorderseite.

4.2. Sonderbetriebsarten zur Auswahl der aktiven Audioquellen und Einstellung der zugehörigen Parameter

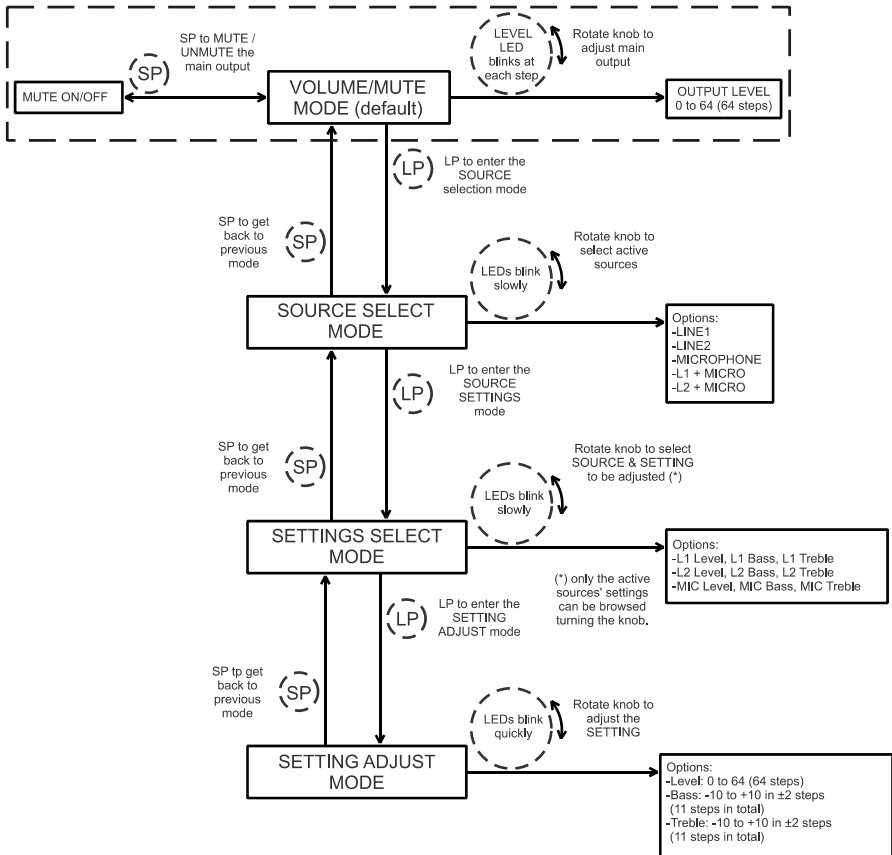
Über den Drehregler an der Vorderseite können besondere Betriebsarten (Auswahl der aktiven Audioquellen und Pegel- bzw. EQ-Regelung (Tiefen und Höhen)) aktiviert werden. Die Aktivierung und Bedienung dieser Betriebsarten erfolgt durch kurzes Drücken bzw. Antippen (feste Dauer) und anschließendes Drehen des Drehreglers. Durch die Pegelregelung einzelner Quellen kann ein Mikrofonsignal mit einem anderen Line-Signal vermischt werden, sodass dieses neue Signal an die Gesamtlautstärke der Anlage überhaupt angepasst wird und somit der relative Pegel der einzelnen Quellen erhalten bleibt.

Nachfolgend werden die Vorgehensweise zur Aktivierung und Bedienung dieser speziellen Betriebsarten sowie die jeweils verfügbaren Möglichkeiten dargestellt:

CA40 adjustments with front knob browser

SP: Short Press (press the VOL/MUTE knob briefly, less than 0,5 s)

LP: Long Press (press & hold the VOL/MUTE knob more than 2,5 s)



Hinweise:

1. Wird der Drehregler an der Vorderseite in einer beliebigen Sonderbetriebsart 10 s lang nicht betätigt, so wird automatisch wieder der standardmäßige Einstellbetrieb VOL/MUTE wirksam.
2. Dreht man den Regler im Modus Klangregelung in eine Richtung, so ist am schnellen Blinken zu erkennen, dass sich die Verstärkung des entsprechenden Tones erhöht. Bei Erreichen der Endpunkte (-10 oder +10 dB) oder im Mittelpunkt (0 dB) des Regelbereiches blinkt das Gerät langsamer.

4.3. AUTO STANDBY Funktion

Dank der **AUTO STANDBY**-Funktion (Ruhe- bzw. Energiesparbetrieb) kann der CA40 an schwer zugänglichen Orten aufgestellt werden; so kann das Gerät auf unbestimmte Zeit an das Stromnetz angeschlossen bleiben und schaltet bei Anliegen / Abklingen eines Eingangssignals automatisch ein bzw. ab.

Zum Aktivieren des **AUTO STANDBY**-Betriebs muss der entsprechend beschriftete Mikroschalter an der Geräterückseite umgelegt werden (siehe Abschnitt **7. FUNKTIONSDIAGRAMM**). Ist dieser Modus aktiv und wird 2 Minuten lang oder länger kein Audio-Signal auf einen der Geräteeingänge übertragen (oder das Signal ist zu schwach und liegt unterhalb der Auslöseschwelle), schaltet der CA40 automatisch auf STANDBY, und die orangene LED-Anzeige **ON/STBY** an der Vorderseite des Gerätes leuchtet auf. Sobald an einem der Eingänge wieder ein Audio-Signal anliegt, schaltet der CA40 aus dem Ruhemodus zurück in den Normalbetrieb, die LED-Anzeige **ON/STBY** leuchtet grün auf und zeigt Betriebsbereitschaft an.

Bei Aktivieren des **AUTO STANDBY**-Betriebs mit dem Mikroschalter (Stellung **ON**) gibt es 2 Möglichkeiten:

- a) Es liegt KEIN Audio-Signal an den Eingängen an. Folge: der Verstärker schaltet sofort in AUTO STANDBY.
- b) Es liegt EIN Audio-Signal an den Eingängen an. Folge: der Verstärker bleibt eingeschaltet.

Wenn der Verstärker in den **AUTO STANDBY**-Betrieb wechselt, erlöschen alle LED-Anzeigen mit Ausnahme von **ON/STBY**. Wird der Drehregler **VOL/MUTE** im STANDBY-Betrieb zur Regelung der Lautstärke oder zum Aktivieren der MUTE-Funktion betätigt, leuchten alle LED-Anzeigen kurzzeitig auf und erlöschen dann wieder. Es ist zu beachten, dass mit der ersten Betätigung des Drehreglers VOL/MUTE lediglich die LEDs aufleuchten und die Parameter erst bei einer weiteren Betätigung verändert werden.

Befindet sich die Anlage in einer Sonderbetriebsart (Auswahl der Quellen, Auswahl bzw. Einstellung der Parameter), erlöschen die LEDs selbst dann nicht, wenn der Verstärker in den **AUTO STANDBY**-Betrieb wechselt.

4.4. LED-Anzeigen

- **SP:** Die LED-Anzeige für anliegendes Signal **SP** zeigt an, dass am Verstärker ein Eingangssignal anliegt. Sie leuchtet auf, sobald der Eingangspegel die vorgegebene Erkennungsschwelle überschreitet.
- **CLIP:** Die LED-Anzeige Übersteuerung **CLIP** leuchtet auf, sobald sich das an die Lautsprecher übertragene Signal dem Clipping-/Übersteuerungspegel nähert. Die Eingangspegel müssen immer so eingestellt sein, dass die **CLIP**-Anzeigen (Übersteuerung oder Verzerrung) niemals kontinuierlich leuchten, sondern

höchstens im Takt der tiefsten Klangfrequenzen aufflackern. Andernfalls klingt das verstärkte Signal sehr stark verzerrt, Klang- und Hörqualität werden stark beeinträchtigt.

- **MUTE**: leuchtet auf, wenn die **MUTE**-Funktion (Stummschaltung) aktiv ist.
- **ON/STBY**: leuchtet im Normalbetrieb des Gerätes grün, im Ruhe- bzw. Energiesparbetrieb leuchtet die LED (STANDBY) orange.
- **LEVEL**: blinkt bei allgemeinen Einstellungen des Gerätes. Leuchtet auch in den Sonderbetriebsarten, beim Eingangspegel (siehe Abschnitt 4.2. **Betriebsarten zur Auswahl der aktiven Audioquellen und Einstellung der zugehörigen Parameter**).
- **BASS**: leuchtet in den speziellen Einstellmodi, bei Tieftönen (siehe Abschnitt 4.2. **Betriebsarten zur Auswahl der aktiven Audioquellen und Einstellung der zugehörigen Parameter**)
- **TREBLE**: leuchtet in den speziellen Einstellmodi, bei Hochtönen (siehe Abschnitt 4.2. **Betriebsarten zur Auswahl der aktiven Audioquellen und Einstellung der zugehörigen Parameter**)
- **LIN 1, LIN 2, MIC**: leuchten bei den Sonderbetriebsarten, Auswahl der aktiven Audioquellen und Einstellungen (siehe Abschnitt 4.2. **Betriebsarten zur Auswahl der aktiven Audioquellen und Einstellung der zugehörigen Parameter**)

4.5. Mikroschalter an der Geräterückseite

- **REMOTE**: aktiviert (ON) die Fernsteuerung mittels Wandbedienbox WPMVOL bzw. WPMVOL-SR des REMOTE-Anschlusses.
- **NOISE GATE**: aktiviert (ON) oder deaktiviert die Noise-Gate-Funktion des Mikrofoneingangs. In dieser Funktion ist der Mikrofoneingang so lange stummgeschaltet, bis ein Signal über der Auslöseschwelle der Funktion empfangen wird, sodass das Hintergrundrauschen des angeschlossenen Mikrofons herausgefiltert wird.
- **TALKOVER**: aktiviert (ON) oder deaktiviert die Vorrangfunktion des Mikrofons gegenüber den Line-Eingängen. Solange die Funktion TALKOVER aktiviert ist, dämpft das Mikrofonsignal das ausgewählte Line-Signal (LINE 1 oder 2), sobald die Auslöseschwelle überschritten wird.
- **AUTO STANDBY**: aktiviert (ON) oder deaktiviert die AUTO STANDBY-Funktion. Wird diese Funktion aktiviert, schaltet der CA40 auf STANDBY- bzw. Energiesparbetrieb, wenn keine Audio-Signale an den Eingängen anliegen.
- **BRIDGE / MONO (und STEREO)**: stellt die Betriebsart an den verstärkten Geräteausgängen ein:
 - **BRIDGE** und **MONO** auf **OFF**: Anlage im STEREO-Betrieb L / R
 - **BRIDGE ON** (und **MONO** auf **ON** oder wahlweise auf **OFF**): Anlage im Bridge-Betrieb und Verstärkung des Signals L+R auf beiden Kanälen, das auf einer einzigen Endstufe ausgegeben und verstärkt wird
 - **BRIDGE OFF** und **MONO ON**: Anlage im MONO-Betrieb, beide Kanäle arbeiten getrennt und verstärken jeweils das Signal L+R

4.6. Gerätesperre

Zum Ein- bzw. Ausschalten der Gerätesperre muss VOL/MUTE im entsprechenden Modus (VOL/MUTE) 10 s lang gedrückt gehalten werden. Die LED-Anzeigen SETTING blinken 3-mal und signalisieren, dass die Sperre aktiv ist. Bei aktiver Sperre kann die Anlage mittels VOL/MUTE nicht bedient werden (bei Betätigung des Drehreglers blinkt die Anzeige erneut 3-mal, um zu signalisieren, dass die Sperrfunktion aktiviert ist). Auf diese Weise ist das Gerät vor unsachgemäßer Verwendung geschützt und schaltet erst wieder in den normalen Betrieb zurück, wenn VOL/MUTE 10 s lang gedrückt gehalten wird (die LED-Anzeigen SETTING blinken 2-mal und zeigen, dass die Gerätesperre wieder aufgehoben ist).

Hinweis: Die Gerätesperre bleibt auch dann aktiv, wenn das Gerät aus- und eingeschaltet wird. Zum Aufheben der Sperre ist es erforderlich, VOL/MUTE für einen Zeitraum von 10 s gedrückt zu halten

4.7. Wiederherstellung der Werkseinstellungen und Firmware-Aktualisierung

Um die Werkseinstellungen des CA40 wiederherzustellen, ist wie folgt vorzugehen:

1. Drehregler bei ausgeschaltetem Gerät betätigen und gedrückt halten.
2. Gerät bei gedrücktem Regler einschalten. Die MUTE-Anzeige beginnt zu blinken.
3. Einige Sekunden warten und CA40 wieder ausschalten.
4. Beim nächsten Einschalten läuft die Anlage mit den standardmäßigen Werkseinstellungen hoch.

Hinweis: Zur Firmware-Aktualisierung des Gerätes gehen Sie auf die Produktseite www.ecler.com, wo Sie das Software-Aktualisierungsprogramm und entsprechende Hinweise zum Download finden.

5. REINIGUNG

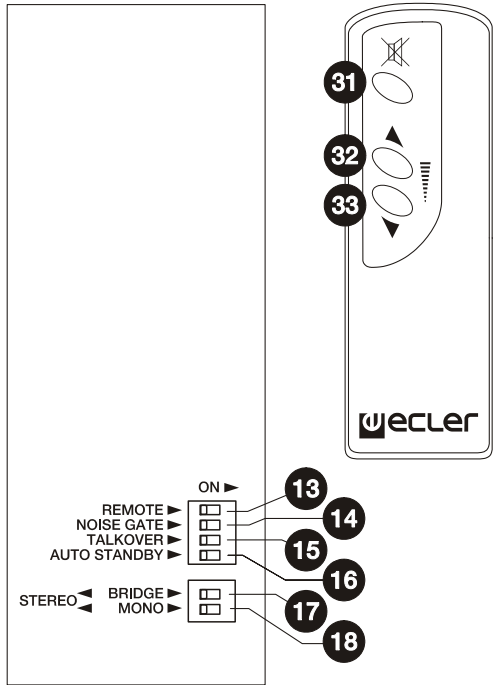
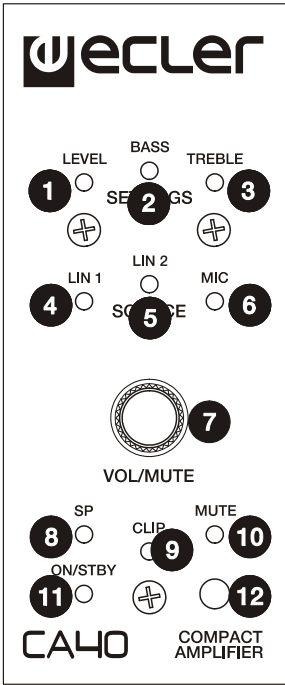
Der CA40 darf nicht mit Lösungsmitteln oder scheuernden Substanzen gereinigt werden, da sonst die aufgedruckte Beschriftung beschädigt werden könnte. Zur Reinigung verwenden Sie am besten ein feuchtes Tuch und neutralen Flüssigreiniger und reiben anschließend die Oberfläche sorgfältig trocken. Es darf auf keinen Fall Wasser über eine der Öffnungen in das Gerät eindringen.

6. FUNKTIONSLISTE

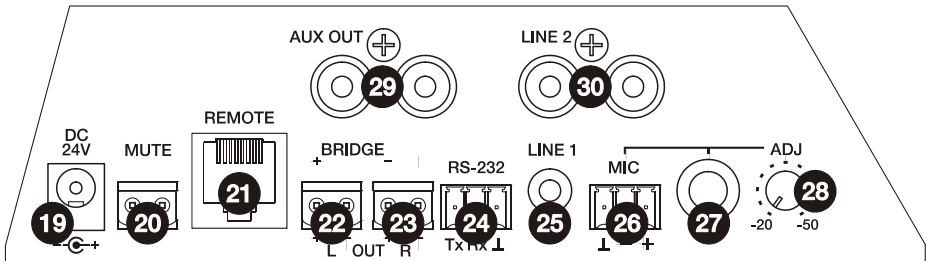
DE

1. LED-Anzeige LEVEL
2. LED-Anzeige BASS
3. LED-Anzeige TREBLE
4. LED-Anzeige LIN 1
5. LED-Anzeige LIN 2
6. LED-Anzeige MIC
7. Digitaler Drehregler VOL/MUTE
8. LED-Anzeige für Eingangssignalerkennung SP
9. LED-Anzeige Verzerrung CLIP
10. LED-Anzeige Stummschaltung MUTE
11. LED-Anzeige Betrieb/Ruhemodus ON/STBY
12. Empfänger Fernbedienung, REMOTE
13. Mikroschalter REMOTE
14. Mikroschalter NOISE GATE
15. Mikroschalter TALKOVER
16. Mikroschalter AUTO STANDBY
17. Mikroschalter BRIDGE / STEREO
18. Mikroschalter MONO / STEREO
19. 24 VDC-Netzanschluss
20. MUTE-Fernsteuerung
21. RJ-45-Stecker, REMOTE
22. Verstärkter Ausgang OUT L
23. Verstärkter Ausgang OUT R
24. Fernsteuerung über CA-NET-Protokoll, RS-232
25. Minibuchse Line-Eingang, LINE 1
26. Mikrofoneingang MIC
27. Mikrofon-Eingang, MIC
28. Regelung der Eingangsempfindlichkeit MIC
29. Hilfsausgang AUX OUT
30. Line-Eingang RCA, LINE 2
31. Stummschalttaste der Anlage
32. Lauter-Taste
33. Leiser-Taste

7. FUNKTIONSDIAGRAMM



DE



EN

ES

FR

DE

8. TECHNICAL CHARACTERISTICS 8. CARACTÉRISTIQUES TECHNIQUES

POWER

Frequency response

THD+Noise @ 1kHz Full Pwr. SPKR OUT

THD+Noise AUX OUT

Channel crosstalk @ 1kHz

Inputs Sensitivity nom/Impedance

CMRR

Outputs Level/Minimum Load

Tone control (LINE & MIC)

Signal Noise Ratio

Talkover

Microphone Noise Gate

Phantom voltage

RS-232

ANALOG REMOTE (0-10V. based)

INFRARED REMOTE

Mains (using Meanwell GS60A24-P1J)

Power consumption (pink noise, 1/8 power @ 4ohm)

Power consumption (pink noise, 1/3 power @ 4ohm)

Power consumption Stand By (time 2 minutes)

Dimensions WxDxH

Weight

*Internally selectable **Software selectable

8. CARACTERÍSTICAS TÉCNICAS 8. TECHNISCHE DATEN

STEREO

2x18W@4Ω 1% THD

2x22W@4Ω 10% THD

2x10W@8Ω 1% THD

2x12W@8Ω 10% THD

BRIDGE

1x36W@8Ω 1% THD

1x44W@8Ω 10% THD

20Hz - 50kHz (-3dB)

<0.15%

<0.02%

>55dB

LINE 1

0dBV (-6dBV*)/>8kΩ

LINE 2

0dBV (-6dBV*)/>8kΩ

MIC (BAL)

-20 to -50dBV/>1kΩ

MICRO (BAL)

>65dB @ 1kHz

AUX OUT

-6dBV/10kΩ

BASS

100Hz ±10dB

TREBLE

6KHz ±10dB

LINE

>85dB

MIC (BAL)

>65dB

TIME

2 Sec**

DEPTH

-30dB**

20-30 below max.**

+24VDC/10mA max.*

BAUD RATE

9600 (fixed)

DATA

8 bits

PARITY

NONE

STOP BITS

1

FLOW CTRL

NONE

Volume & Input selection

Volume & Mute

90-264VAC 47-63Hz

21VA/7W

32VA/13W

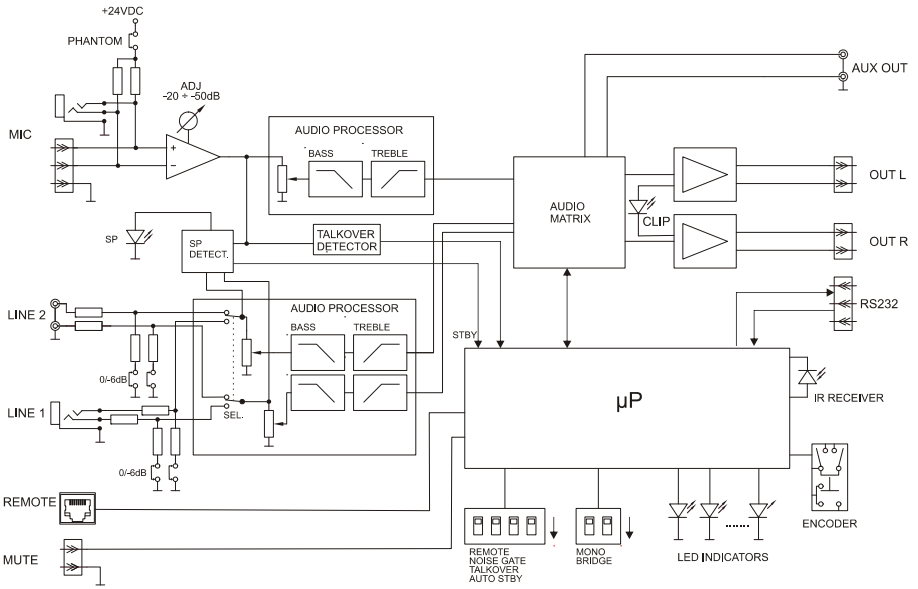
<3W

155x155x45mm

650g

9. BLOCK DIAGRAM
9. SCHÉMA FONCTIONNEL

9. DIAGRAMA DE BLOQUES
9. BLOCKSCHALTBILD



JUMPERS FACTORY ADJUST

Phantom	ON
Sensitivity	0dB

