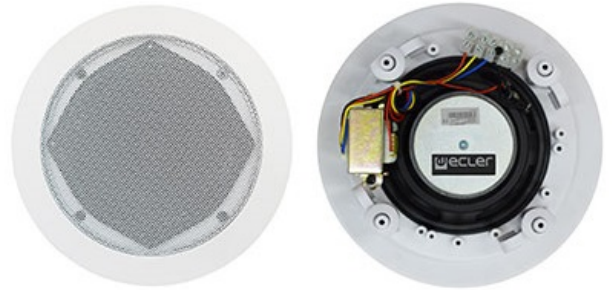


eIC51

CEILING LOUDSPEAKERS

Essentials Ceiling Loudspeaker



PRODUCT OVERVIEW

ECLER eIC51 is a cost-effective in-ceiling installation loudspeaker with a great sound performance. It features a 5,25" woofer, 10 WRMS @ 8 ohm nominal power and 100V line transformer with 3 and 6 W power selections.

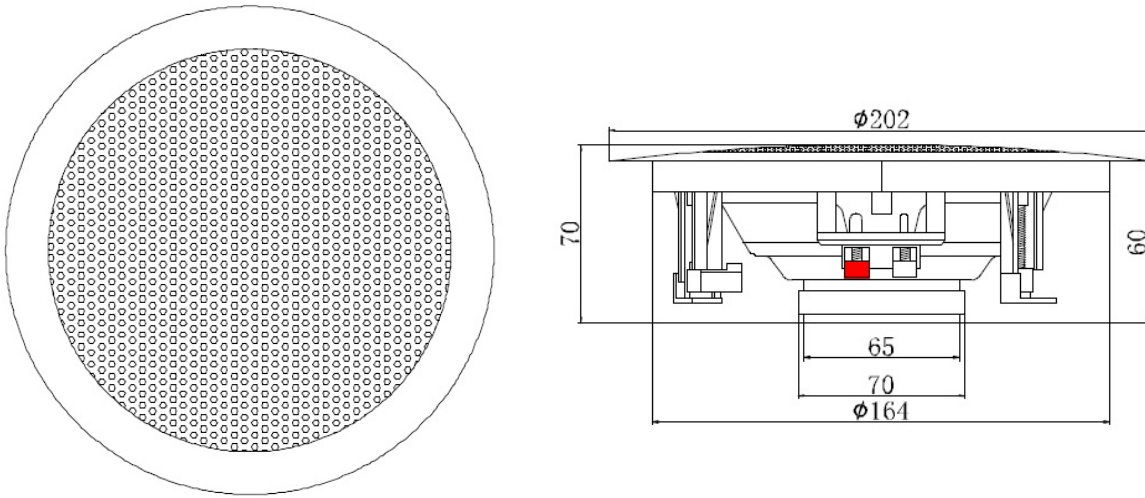
KEY FEATURES

- One-way ABS speaker, 10 WRMS
- 5,25" woofer
- Built-in audio transformer for 70/100 V use
- Clip-type input terminals and low impedance / high impedance power tap selector

APPLICATIONS

- Corporate and residential buildings
- Commercial premises
- Leisure centres
- Health and sports centres
- Meeting and conference rooms
- Auditoriums, museums

MECHANICAL DIAGRAMS



TECHNICAL DATA

Nominal low impedance	8Ω
RMS power	10 W
Nominal high impedance	70/100V Line
Power selector @ 100V	3, 6 W
Frequency response (-6 dB)	120Hz - 20kHz
Sensitivity 1W/1m	88 dB
External diameter	202 mm
Internal diameter	164 mm
Required depth	60 mm
Weight	0.9 kg